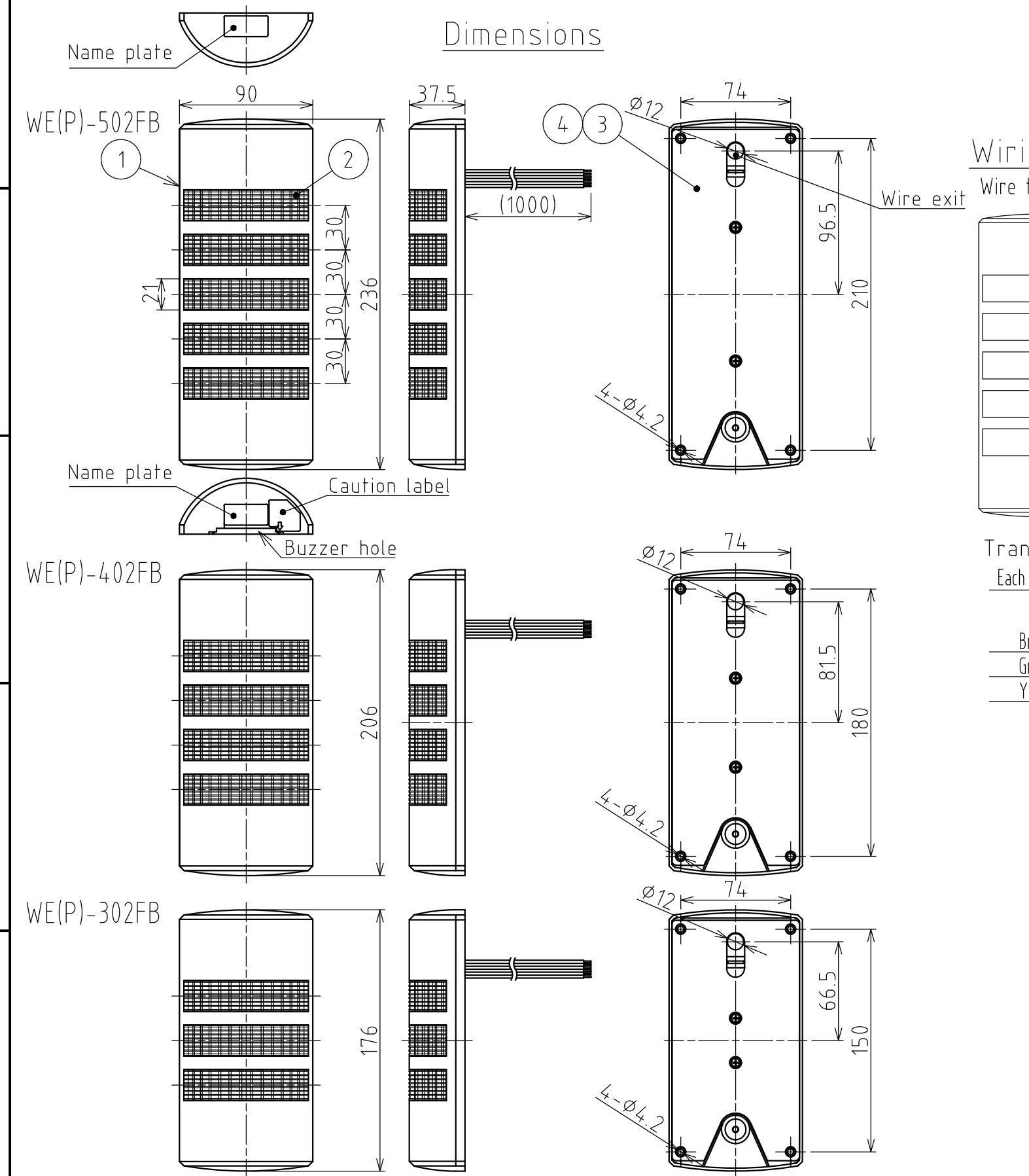


<h1>SPECIFICATIONS</h1>

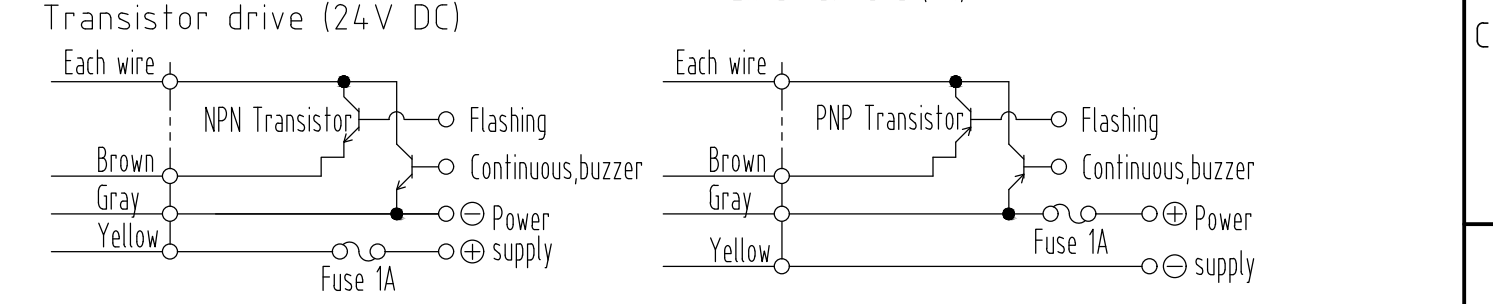
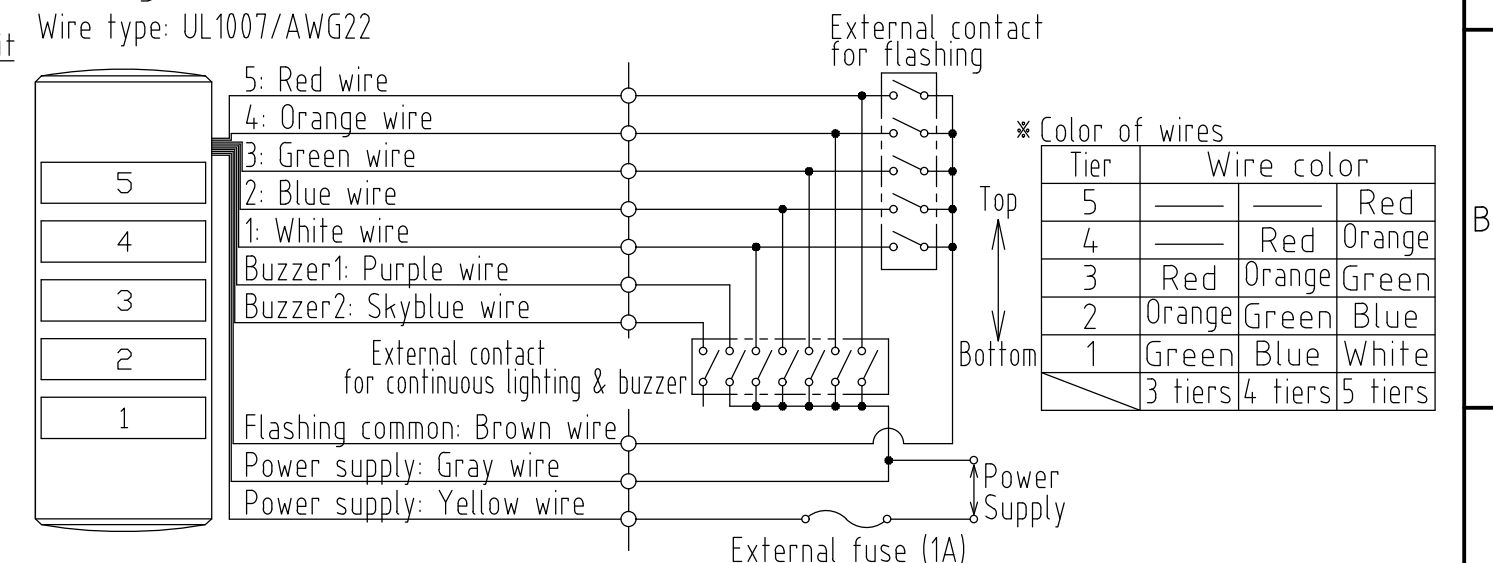
[General Specifications]

Product Name		LED SIGNAL LIGHT				
Model	5 Tiers	WE-502FB			WEP-502FB	
	4 Tiers	WE-402FB			WEP-402FB	
	3 Tiers	WE-302FB			WEP-302FB	
Surface of cover		Chromium plating			Not plating (Light gray)	
Rated Voltage		DC24V(No Polarity) / AC24V (50/60Hz)				
Operating Voltage Range		Rated Voltage $\pm 10\%$				
Rated Current Consumption	Typ.	Per tier				Buzzer
		Red	Amber	Green	Blue	White
	Max.	24.0 mA	14.3 mA			40.0 mA
		28.0 mA	27.0 mA	20.9 mA		50.0 mA (Inrush Current : 250mA)
Operating Ambient Temperature		- 30°C ~ + 60°C				
Operating Ambient Humidity		Less than 90% (No condensation)				
Mounting Location		Indoor only				
Mounting Direction		Upright, Updown, Sideways				
Protection Rating		IP54				
Environmental Condition		Upright				
Vibration Resistance		19.6 m/s ² (30Hz)				
Insulation Resistance		More than 1M Ω at 500VDC between live part and non-current carrying metallic part				
Withstand Voltage		500VAC applied for 1min between live part and non-current carrying metallic part without breaking insulation				
Luminous Intensity		Red	Amber	Green	Blue	White
		600 mcd or more	800 mcd or more	6300 mcd or more	2400 mcd or more	6200 mcd or more
Mass (Tolerance $\pm 10\%$)		3 Tiers		4 Tiers		5 Tiers
		0.30 kg		0.33 kg		0.35 kg
Flashing Rate		60 \pm 12 flashes per minute				
Buzzer	Sound Pressure Level	Max.: 90 \pm dB				
	Environmental Condition	Buzzer Aperture Direction at 1m				
	Tone	Buzzer1 : pipipi Buzzer2 : beep beep				
Outer Dimensions		Refer to the Outer Dimension Drawing				
Conformity Standards		UL508, CSA-C22.2 No.14 RoHS Directive (EN IEC 63000)				
Remarks		<ul style="list-style-type: none"> Conforms to the CE requirements Conforms to the UKCA Requirements UL Recognized Component (File No.E215660) 				



指定公差 General tolerance		角度公差 Angular tolerance ±[°]		寸法公差 Dimensional tolerance ±[mm]					図番 Drawing No.		ページ Page	
短辺長さ Length of short side		10	50	100	6	30	120	300	1000	WE-502FB-W18		2/2
精 f		1	0.5	0.3	0.1	中 m	0.1	0.3	0.5	0.7	1	改訂 Rev.
粗 v		3	1.5	1	0.5	粗 c	0.3	0.5	1	1.2	2	年月日 Date
												改訂履歴 Revisions

Wiring



- ### Note
1. Insulate ends of unused wires by tape or any other suitable thing.
 2. Use "Class 2 circuit" for the power supply source.
 3. Concerning fuse and fuse-holder, use the products authorized by UL Inc.
 4. Use the fuse conforming to the rated current of the machine on which the product is installed. (Example: Class J type fuse)
 5. Two independent common lines are required for continuous lighting and flashing for a Programmable Controller and etc.
 6. Do not contact flashing common and continuous lighting common with one LED unit simultaneously. Otherwise unexpected LED units may turn on. To avoid this, continuous lighting and flashing must be switched alternately.
 7. Buzzer 1 is priority when connected simultaneously to common with buzzer 2.

Model No. configuration

WE □ - □ □ □ FB - □ □ □ □ □

- Cover finish: P: No plating, None: Plating
- Tier: 3: 3 tiers, 4: 4 tiers, 5: 5 tiers
- Light method: Continuous lighting /flashing and Buzzer
- Rated voltage: 02: 24V AC/DC
- Luminous color (R:Red/Y:Amber/G:Green /B:Blue/C:White) * Arranged in top-to-bottom order.

4	Waterproof sheet	1	CR (Black)
3	Body	1	ABS (Light gray)
2	Lens	1	PC (Clear)
1	Cover	1	ABS (Light gray) Chromium plating(WE only)
番号 No.	部品名 Part Name	数量 Qty.	記事 Remarks
機種 Model	WE(P)-□ 02FB	特注 No. S.P.No.	図名 Name Outer Dimensions Drawing
品目コード Part No.	-	尺度 Scale	三角法 3rd Angle P.
		単位 Unit	mm
		株式会社 パトライト PATLITE Corporation	