

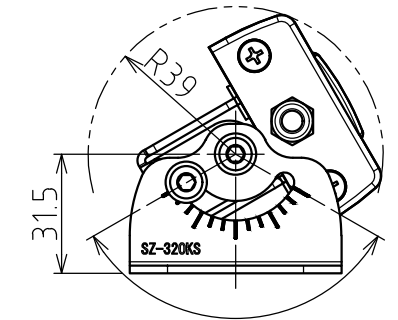
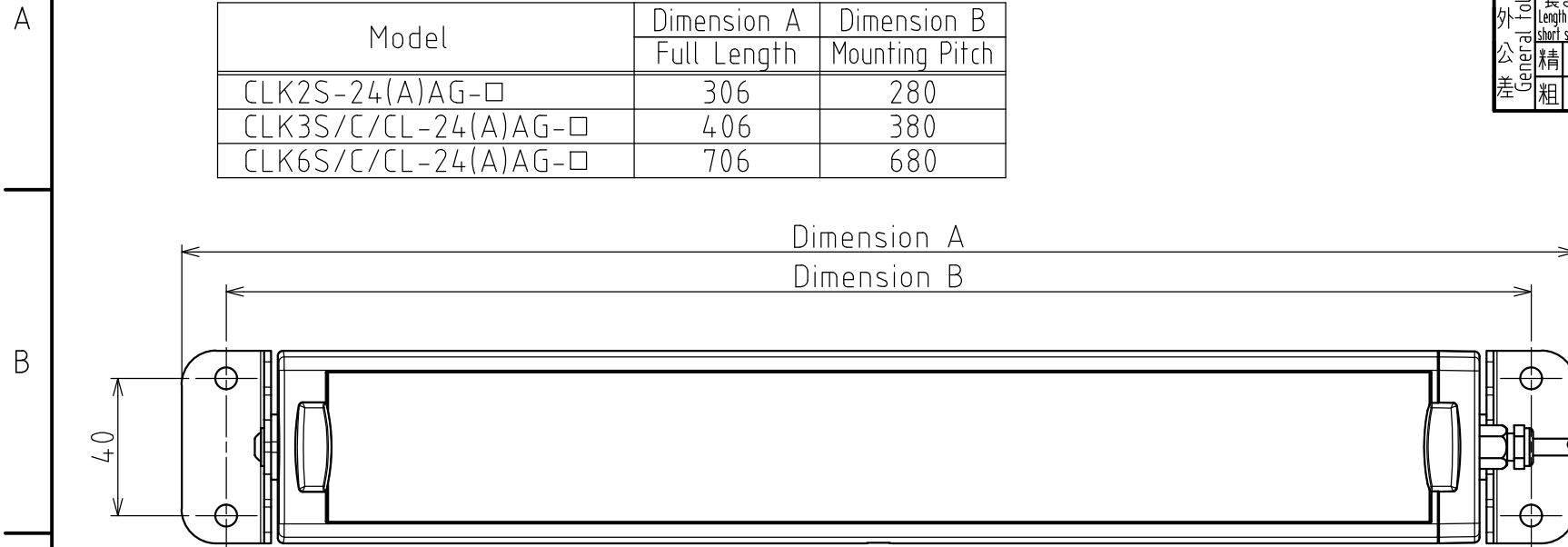
[Table 1. Dimensions]

Model	Dimension A	Dimension B
	Full Length	Mounting Pitch
CLK2S-24(A)AG-□	306	280
CLK3S/C/CL-24(A)AG-□	406	380
CLK6S/C/CL-24(A)AG-□	706	680

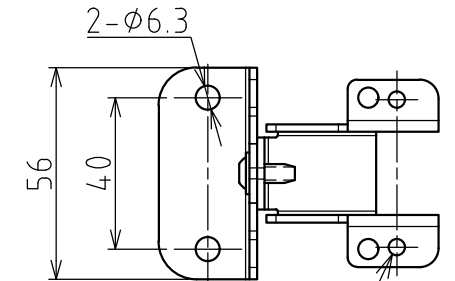
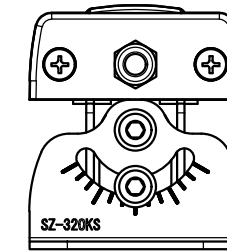
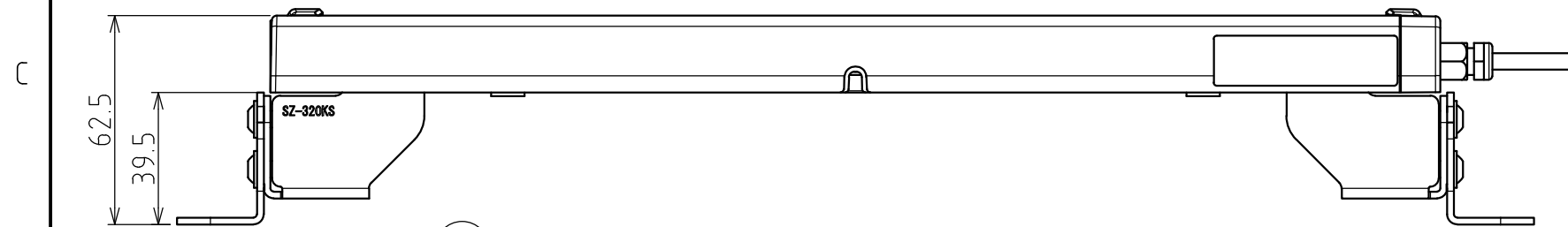
指定公差 General tolerance	角度公差 ±[°]			寸法公差 ±[mm]					
	短辺長さ Length of short side	~	~100	6	30	120	300	1000	
	精 f	中 m	粗 c	精 f	中 m	粗 c	粗 c	粗 c	
粗 v	3	1.5	1	0.5	0.3	0.5	1	1.2	2

図番 Drawing No.	SZ-320KS-W18	
改訂 Rev.	年月日 Date	改訂履歴 Revisions

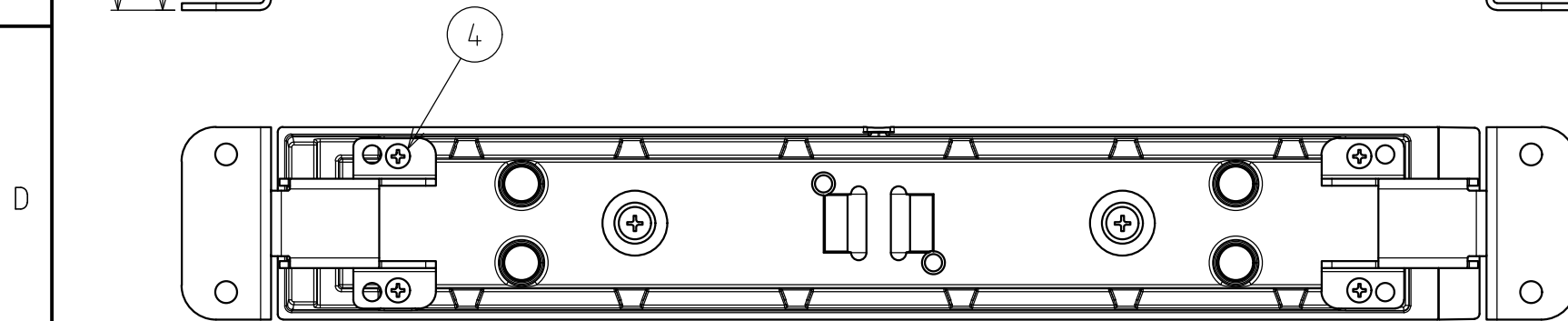
ページ Page	1 / 1
----------	-------



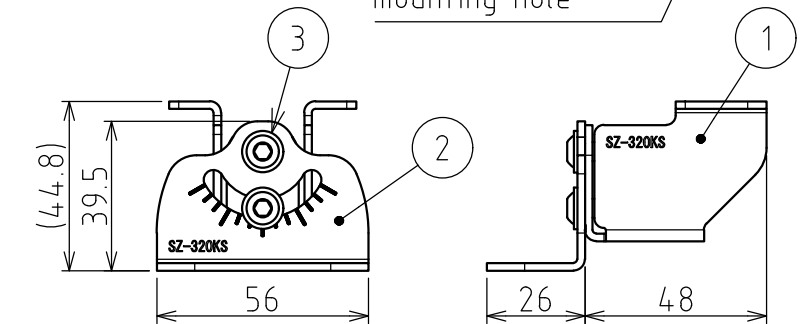
Adjustable Angle 120°  
Movement Range



Model CLK-24(A)AG  
mounting hole



Installation Example Figure  
(CLK3S-24(A)AG-CD/CN)



Individual Part Drawing

[Specifications]

Model	SZ-320KS
Mass	110g (1 set)
Mounting Direction	Any Direction
Mounting Location	Unskewed Surface, Indoor Only
Vibration Resistance	19.6 m/s <sup>2</sup>
Operating Temperature Range	-40°C~+60°C (90%RH or less, no condensation)
Corresponding Model	CLK-24(A)AG & CWK-24 (Body: Allminium Alloy, Lens: Tempered Glass) Series, Exclusive Use
Conformity Standards	There are no contents of controlled substances exceeding the threshold for the RoHS Directive.

4	Binding head screw	4	SUSXM7, M4×8
3	Socket Button Head Cap Screw with Flange	4	SUSXM7, M5×12
2	Bracket B	2	SUS304, t2.0
1	Bracket A	2	SUS304, t2.0
番号 No.	部品名 Part Name	数量 Qty.	記事 Remarks

機種 Model	SZ-320KS	特注No. S.P.No.	-
図名 Name	SPECIFICATIONS		
品目コード Part No.	-	尺度 Scale	三角法 3rd Angle P.
単位 Unit	mm	株式会社 PATLITE Corporation	Ver.2.2 A3