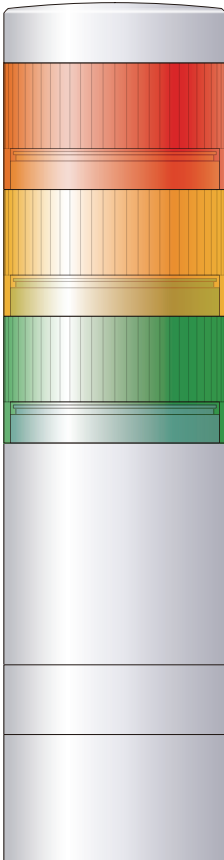


# PATLITE®



## Notice to Customer

Thank you very much for purchasing our PATLITE products.

- Request the installation and wiring be performed by a professional contractor if construction work is involved.
- Prior to installation, read this manual thoroughly before using this product to ensure correct use.
- If there are any questions concerning this product, refer to the contact information at the end of this document and contact your nearest PATLITE Sales Representative.

## To the Contractor

- Read this manual carefully prior to installation.
- Be sure to return this manual to the customer.

IO-Link Signal Tower

**TYPE LR6-IL**

# Complete Operation Manual

Installation

Operation

Maintenance

	Page
1 Read this First	2
2 Model Number Configuration	2
3 Names and Dimensions	3
4 Installation	4
5 Wiring	6
6 How to Use	7
7 Buzzer Settings	9
8 Detaching the Unit	10
9 Troubleshooting	22
10 Specifications	23
11 Service Parts	25
12 Optional Parts	26

# 1 Read this First

## Safety Precautions

The safety precautions that should always be followed in order to prevent injury to user or other individuals as well as prevent damage to property are described below.

- The level of injury or damage caused by ignoring these safety precautions and using the product improperly is categorized and described below.

### Warning

This icon indicates an action with the potential to cause death or serious injury.

### Caution

This icon indicates an action with the potential to cause injury, physical loss or damage.

### Warning

- Request the installation and wiring be accompanied by a **professional contractor**. If installation is done improperly, it may result in **fire, electric shock, falling, or malfunction**.

### Caution

- Adhere to the items below to prevent a **short or damage**.
  - Be sure that the product is **disconnected from the power source** when changing, replacing or adding a unit.
  - Use this product in the **proper state**. (Replace parts such as the body or each unit if damaged.)
- **Avoid long exposure to the Buzzer sound from a close distance**. Failure to observe this may lead from irritation to permanent damage to the ears. (When Buzzer Unit is used)
- In order to maintain protection of this product against dust and waterproofing performance, **be sure to use the head cover, LED unit and buzzer unit in the condition that it was originally attached**.
- To ensure the waterproofing performance of this product, **do not remove the O-ring or the waterproof packing**. Dust and waterproofing performance will decrease.
- When removing covers or packing from the equipment, which is attached to this product, be careful **not to snag** the product. Failure to comply may result in damage to the product.

### Notice

- To ensure proper safety while using the signal tower, observe the following:
  - Perform **periodic pre-maintenance**.
  - As a precaution against problems occurring, **use this product together with other equipment**.
- **Be sure to prevent electrostatic damage** due to discharge when working with this product for wiring, exchanging units, setting up parameters, etc. by discharging static electricity on your body, etc. (To prevent damage from static electricity, touch hands or other body parts to metals or an earth ground to discharge the body from static charge.)
- Use a soft cloth, etc., dampened with water to wipe the main unit. If wiped with chemicals outside water (thinner, benzine, gasoline, oil, etc.), product damage may occur.
- To ensure safety when this product is installed onto equipment, observe the following:
  - **Do not remove parts** beyond those designed to be removed from this product.
  - **Do not modify or disassemble** this product.
  - Use only the specified replacement parts listed in this document.

# 2 Model Number Configuration

	Model		Tiers	Extended Functionality	Mounting/ Wiring	Buzzer	Body Color	LED Unit Color		
Assembly Model	LR	6	-	3	IL	WM	N	W	-	RYG
Unit Model (Body Unit)	LR	6	-		IL	WM	N	W		
Unit Model (Body Unit)	LR	6	-		IL	WC	N	W		

**6** Φ60

**3** Tiers

**N** No Flashing

**IL** IO-Link

**W** Off-white

**WM** Direct Mount / M12 Connector (Mounting with 3 Hexagon Bolts)

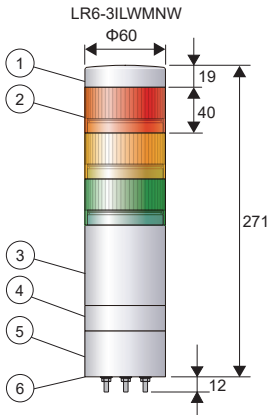
**WC** Direct Mount / M12 Connector (Mounting with M30 Nut)

LED Color: R (Red) / Y (Amber) / G (Green)  
(From top to bottom)

### 3 Names and Dimensions

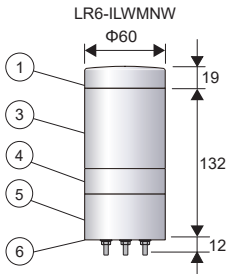
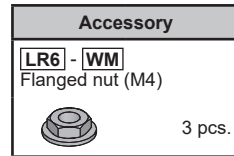
#### WM Direct Mount/M12 Connector Specifications (3-point Screw Attachment)

(Unit: mm)



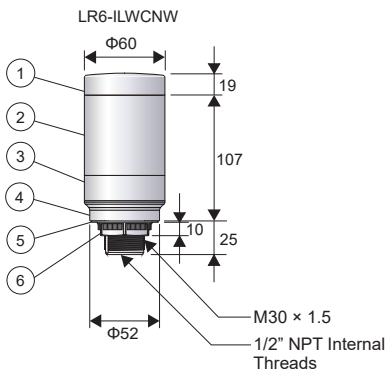
No.	Part Name	Material
1	Head Cover	PC
2	LED Unit	Globe: PC
3	Body	PC
4	M12 Bracket	PC
5	Direct Mount Bracket	PC
6	Waterproof Packing	Silicone Rubber

\*M12 connector cable is sold separately.  
(Please use an M12 connector of  $\Phi 16$  or less.)



#### WC Direct Mount/M12 Connector Specifications (M30 Nut Attachment)

(Unit: mm)



No.	Part Name	Material
1	Head Cover	PC
2	Body	PC
3	M12 Bracket	PC
4	Direct Mount Bracket	PC
5	Waterproof Packing	Silicone Rubber
6	M30 Nut	PC

\*M12 connector cable is sold separately.  
(Please use an M12 connector of  $\Phi 16$  or less.)

## 4 Installation

### Notice

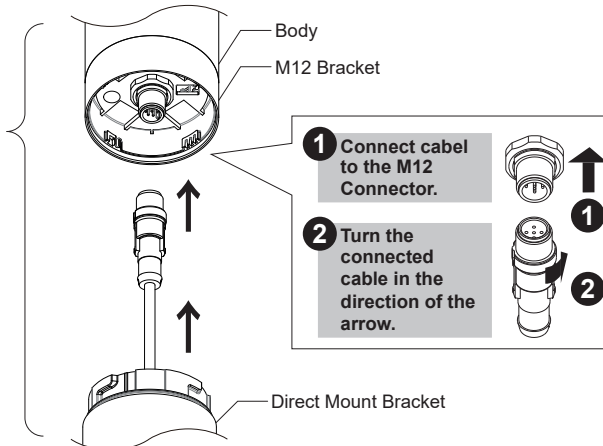
- The following requirements are necessary for a proper mounting location.
  - Location with **strong** and **even surface** with **minimal vibration**.
- Install with the mounting direction in the **upright position**.
- When the installation location is unavoidably irregular and waterproof performance is required, use a sealant between the product and the installation surface.

### Basic Mounting Instructions

- 1** Make holes for the mounting and wire-distribution for the product.  
(Check the Model and refer to the suitable mounting dimension figure.)
- 2** Connect to the product through the distribution hole.
- 3** Secure the product with the nuts.

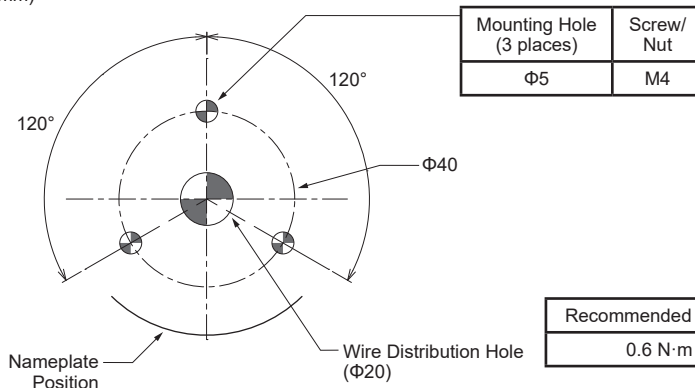
#### ■ WM WC Installation Figure (M12 Connector Installation Figure)

Connect to the M12 Connector through the distribution hole.



#### ■ WM Mounting Dimensional Drawing

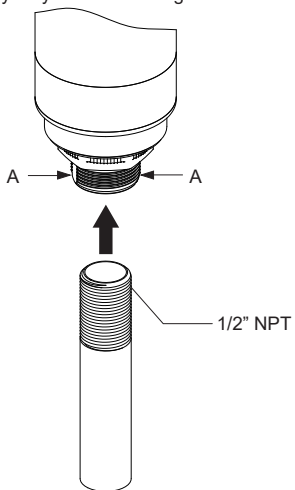
(Unit: mm)





■ **WC Installation Figure (1/2" NPT Installation Figure)**

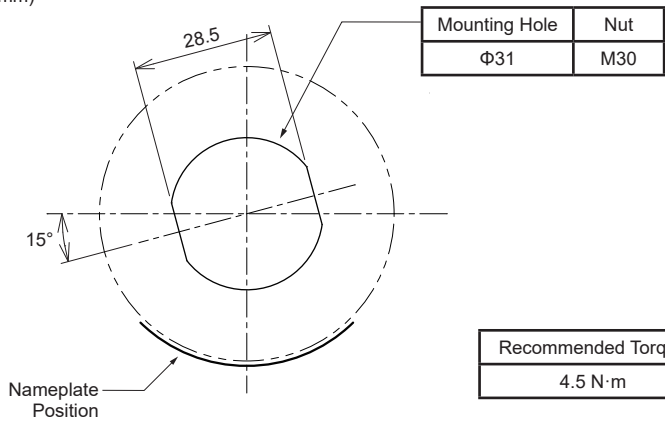
While holding part 'A', install the 1/2" NPT.  
Failure to comply may result in damage.



Recommended Torque
2.25 N·m

■ **Mounting Dimensional Drawing**

(Unit: mm)



## 5 Wiring

### ⚠ Warning

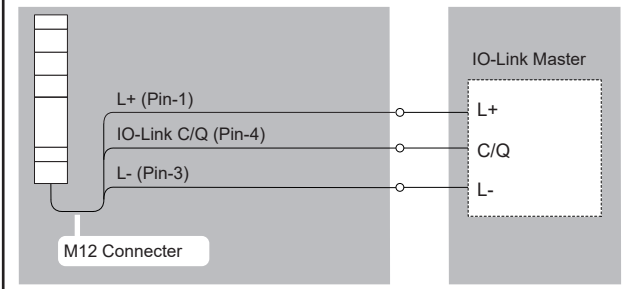
- Ensure the **proper working voltage** is used and that **direct current or alternating current** is properly applied. Any mistake in wiring may result in damage or fire.

### ⚠ Caution

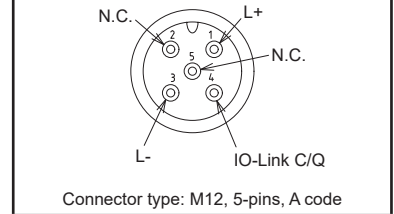
- **Do not pull** the wire, or **stuff it inside** of this product. Possible cause of failure may occur.

## Wiring Example and M12 Connector Pin Layout

### ■ Wiring Example



### ■ M12 Connector Pin Layout



## 6 How to Use

This product is an IO-Link compliant product.

Connect this product by following the “5 Wiring” (p. 6).

The controller can light, flash or extinguish the LEDs or control the buzzer.

Changing the “Operating Mode” settings enables the following modes:

- Simple Mode
- Advanced Mode

### ■ Simple Mode

This mode performs simple control by only turning ON and OFF each LED and the buzzer.

Other settings are specified using the parameters.

Send the processed data by referring to the table below.

	bit 0	bit 1	bit 2	bit 3	bit 4	bit 5	bit 6	bit 7
Byte 0 data	LED Unit (Red) ON / OFF	Not used	Not used	Not used	Not used	Not used	Not used	Not used
Byte 1 data	LED Unit (Amber) ON / OFF							
Byte 2 data	LED Unit (Green) ON / OFF							
Byte 3 data	LED Unit (Blue) ON / OFF							
Byte 4 data	LED Unit (White) ON / OFF							
Byte 5 data	Buzzer ON / OFF							

### ■ Advanced Mode

This mode performs advanced control such as lighting, flashing, and turning off each LED as well as sounding, intermittently beeping, or stopping the buzzer.

Other settings are specified using the parameters.

Send the processed data by referring to the table below.

Enable the intermittent buzzer settings to repeatedly sound the buzzer for 500 ms and stop the buzzer for 500 ms.

Refer to (p. 8) for the pattern of each LED.

	bit 0	bit 1	bit 2	bit 3	bit 4	bit 5	bit 6	bit 7
Byte 0 data	LED Unit (Red) ON / OFF	Not used		LED pattern (Red)			Not used	
Byte 1 data	LED Unit (Amber) ON / OFF	Not used		LED pattern (Amber)			Not used	
Byte 2 data	LED Unit (Green) ON / OFF	Not used		LED pattern (Green)			Not used	
Byte 3 data	LED Unit (Blue) ON / OFF	Not used		LED pattern (Blue)			Not used	
Byte 4 data	LED Unit (White) ON / OFF	Not used		LED pattern (White)			Not used	
Byte 5 data	Buzzer ON / OFF	Not used				Intermittent Buzzer	Not used	

## ■ LED Pattern

Setting	Description
0	Lit
1	1 sec. Flash (Slow)
2	500 ms Flash (Medium)
3	250 ms Flash (Fast)
4	Single Flash
5	Double Flash
6	Triple Flash

Example: Byte 0 data = 01h Red Light  
Byte 1 data = 11h Amber Flashing  
(1 sec Cycle)  
Byte 2 data = 31h Green Flashing  
(250 ms Cycle)  
Byte 3 data = 61h Blue Triple  
Flash  
Byte 4 data = 00h White OFF  
Byte 5 data = 11h Intermittent  
Buzzer

### Notice

- Settings 4, 5 and 6 cannot be used with the Multicolor LR6-E-MZ of the LED Unit.  
Each LED may not light correctly.
- Settings 4, 5 and 6 cannot be used with the WD transmitter for the wireless data communication system.  
The correct data may not be acquired.
- The intermittent buzzer and the LED pattern do not synchronize.

## ■ Parameter Settings

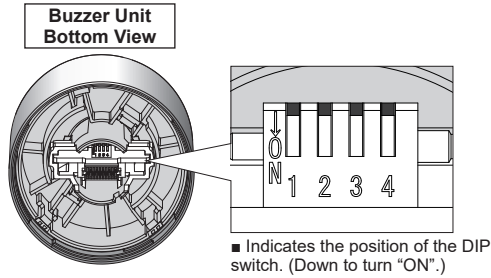
For information about the parameter settings, please download the IODD from the LR6-IL page on our homepage (<https://www.patlite.com/>).

Please also download and use the parameter sheet in the same way.





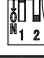



## 7 Buzzer Settings



### ⚠ Caution

- Do not use excess force when performing operations. Failure to comply will result in damage due to breakage or deformation.
- Do not use sharp-pointed objects to perform operations. Failure to comply may result in damage and inoperative switches or hinder contact between contact parts.



### ■ DIP Switch Configuration Table

Buzzer Sound	DIP Switch		Sound Pattern
	1	2	
No. 1	OFF 	OFF 	Rapid intermittent beep (call sign)
No. 2	ON 	OFF 	Continuous beep sound
No. 3	OFF 	ON 	Rapid hi-low
No. 4	ON 	ON 	Sweep sound

DIP Switch	Volume
3	
OFF 	Normal
ON 	Noise reduction

Note: DIP Switch 4 is not used.  
The factory default settings have all of the DIP switches in the "OFF" (Up) position.

## 8 Detaching the Unit

Follow the procedure below to detach a unit, such as when removing the Buzzer Unit or changing the layout of the LED Units.



[Link to Video](#)

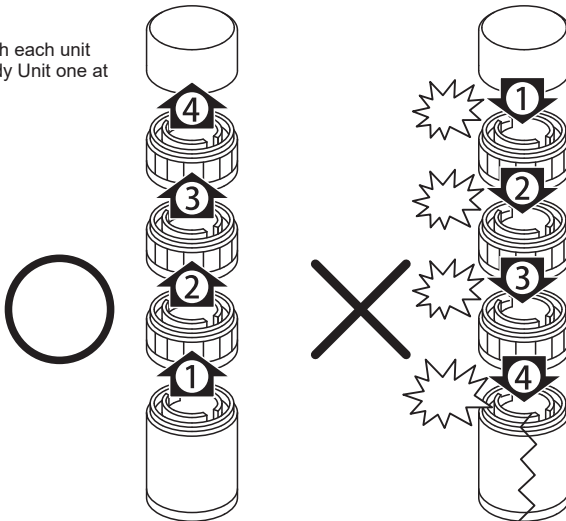
### ⚠ Caution

- Be sure that it is disconnected from the power source before working on it.
- **Do not apply excessive torque or strong shock** to each unit or body. Failure to comply will result in damage or malfunction.
- **Do not touch the connector area or the inside of the body and LED unit.** Failure to comply will result in damage or malfunction.
- **Be sure to lock** each unit securely when attaching. Failure to comply will result in damage or malfunction.
- Detach the unit in the following manner. Any other method may result in damaging the product.

Attachment: Attach one unit at a time to the body.

Removal: Firmly hold the bottom section while removing the upper section.

Please attach each unit from the Body Unit one at a time.



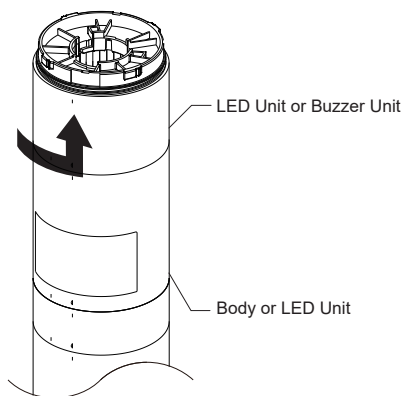
Units may become damaged if attached from the top side.

### Notice

- The maximum number of attachment units per product are five LED units, plus one buzzer unit.
- When using the Multi-Color LED Unit LR6-E-MZ for the LR6 (60 mm) Signal Tower, the maximum number of attachment units per product is one LED unit and one buzzer unit.
- When using Wireless Data Acquisition System WD, the maximum number of attachment units per product are three LED units.

## <LED/Buzzer Unit>

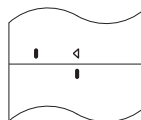
### ■ Removal



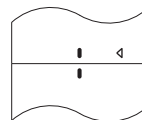
Turn the body or LED unit counter-clockwise to unlock, then raise upwards to remove it.

#### ■ Positioning Mark

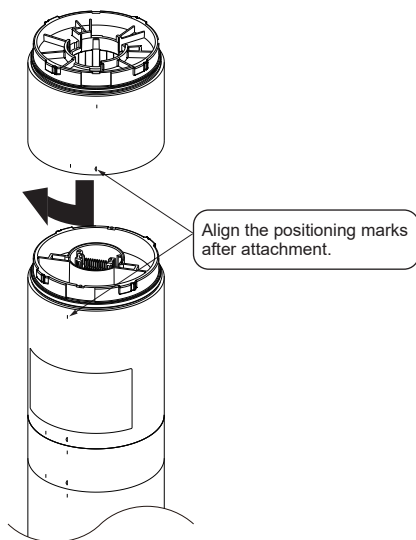
<Locked>



<Unlocked>



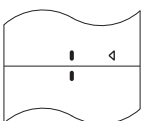
### ■ Attachment



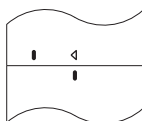
Align the Positioning Mark after insertion, then turn the unit clockwise to lock it.

#### ■ Positioning Mark

<Unlocked>

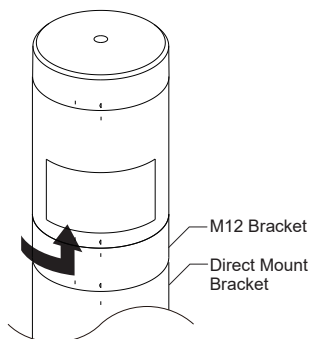


<Locked>



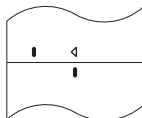
## <Body Unit>

### ■ Removal

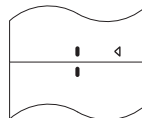


While holding the Direct Mount Bracket, turn the M12 Bracket counter-clockwise, until it unlocks, then pull it upwards to remove.

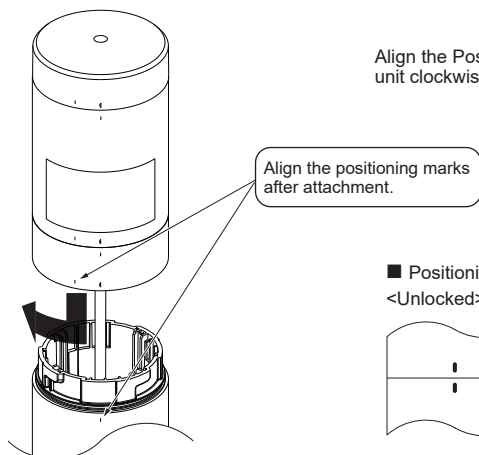
### ■ Positioning Mark <Locked>



### <Unlocked>

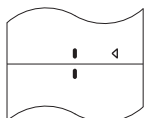


### ■ Attachment

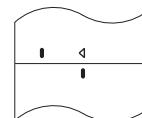


Align the Positioning Mark after insertion, then turn the unit clockwise to lock it.

### ■ Positioning Mark <Unlocked>



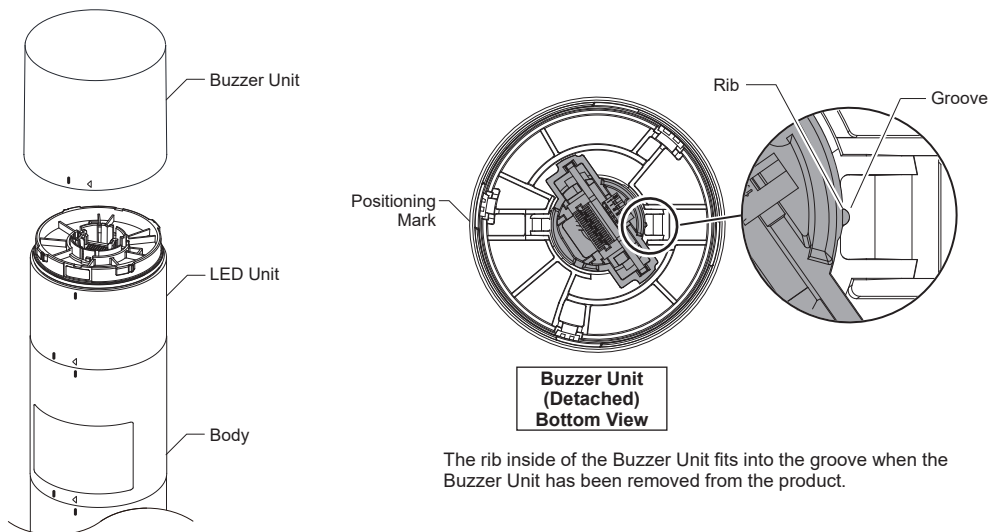
### <Locked>





## <Troubleshooting the Buzzer Unit Attachment>

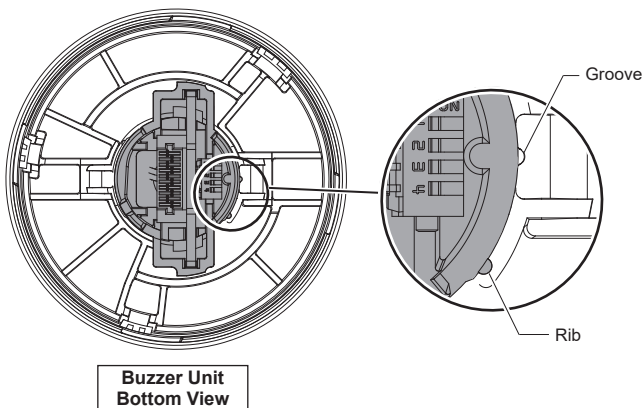
The Buzzer Unit is generally in the status shown in the diagram below after removal.



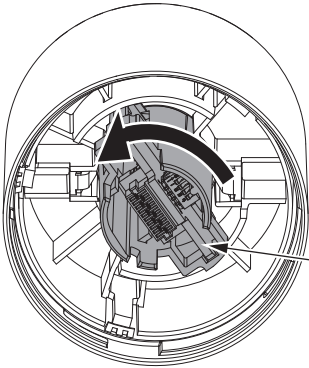
The rib inside of the Buzzer Unit fits into the groove when the Buzzer Unit has been removed from the product.

### **⚠ Caution**

Check to make sure the rib inside of the Buzzer Unit fits into the groove if the Buzzer Unit does not attach properly. Attach the Buzzer Unit by referring to the next page if the rib does not fit into the groove as shown in the diagram below. In addition, the rib may slide out of the groove during removal as shown in the diagram below depending on how the Buzzer Unit was removed. Attaching the Buzzer Unit to the product again in this state may result in damage.

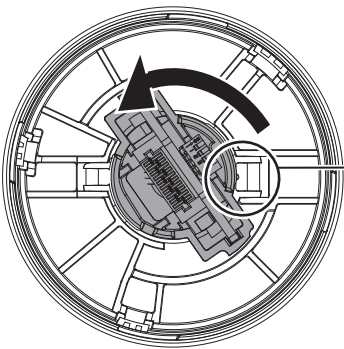


Use the procedure below if the Buzzer Unit does not attach properly.

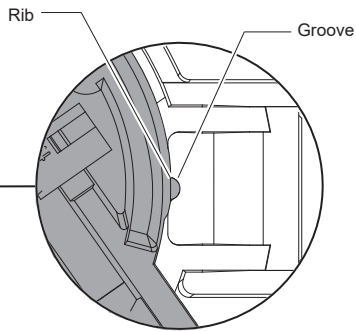


Turn the part inside the Buzzer Unit in the counter-clockwise direction. Turn until the rib fits into the groove, then attach the Buzzer Unit to the product.

Turn this part in the counter-clockwise direction.

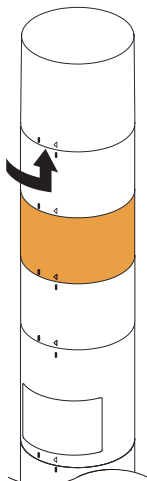


**Buzzer Unit  
Bottom View**

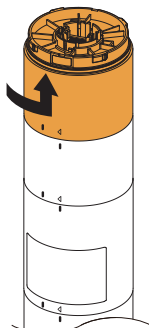


## <Example for LED Unit Reconfiguration>

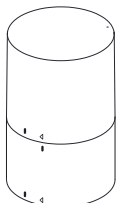
### ■ Moving an LED Unit lower



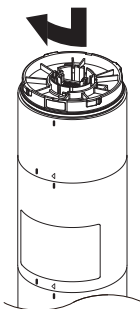
1 Remove the LED Unit right above the LED Unit in the area to remove.



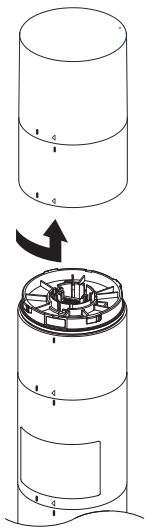
2 Turn the LED Unit to remove counter-clockwise while holding the adjacent LED unit to release the lock, then pull upward.



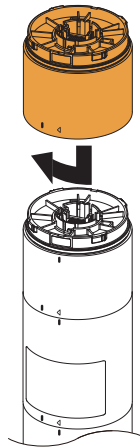
3 Align the positioning marks and insert the LED Unit that was removed in 1, then turn the LED Unit clockwise to lock it in place.



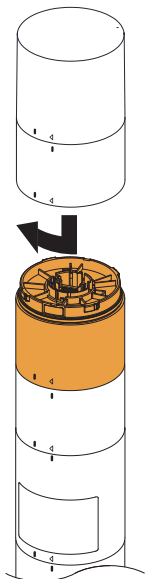
## ■ Adding an LED Unit



- 1 Remove the LED Unit above the area to attach an additional LED unit.

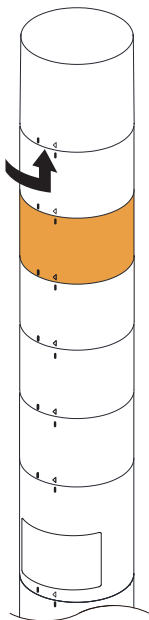


- 2 Align the positioning marks and insert the LED Unit, then turn the LED Unit clockwise to lock it in place.

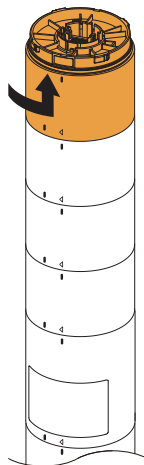


- 3 Align the positioning marks and insert the LED Unit that was removed in 1, then turn the LED Unit clockwise to lock it in place.

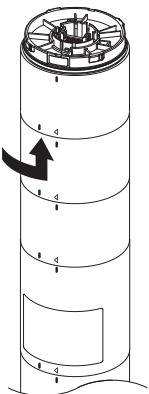
## ■ Changing the Position of an LED Unit



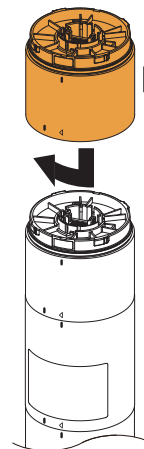
1 Remove the LED Unit right above the LED Unit that will be changing positions.



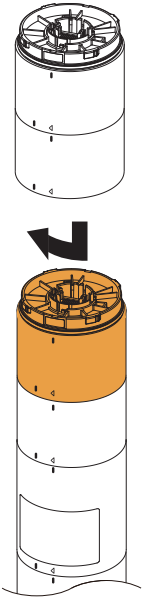
2 Remove the LED Unit that will be changing positions.



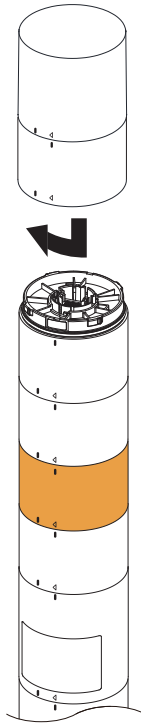
3 Remove the LED Unit right above the position to add the LED unit.



4 Attach the LED Unit that was removed in 2.



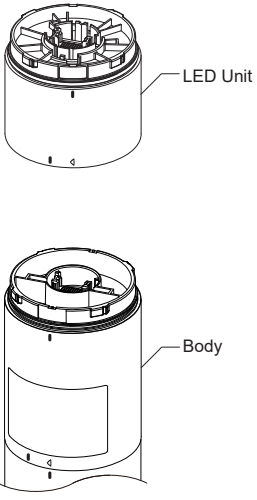
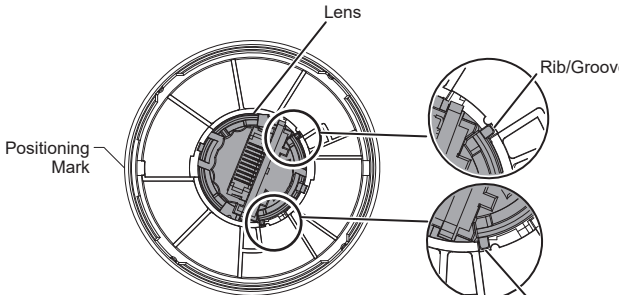
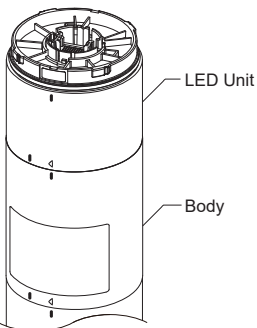
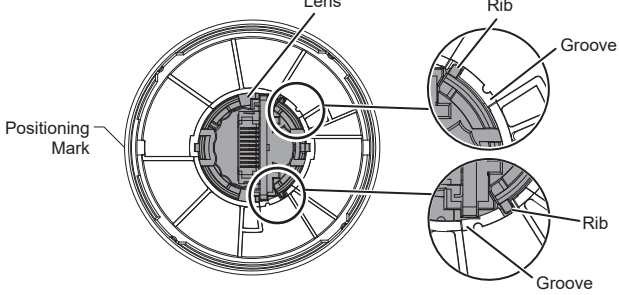
5 Attach the LED Unit that was removed in 3.



6 Attach the LED Unit that was removed in 1.

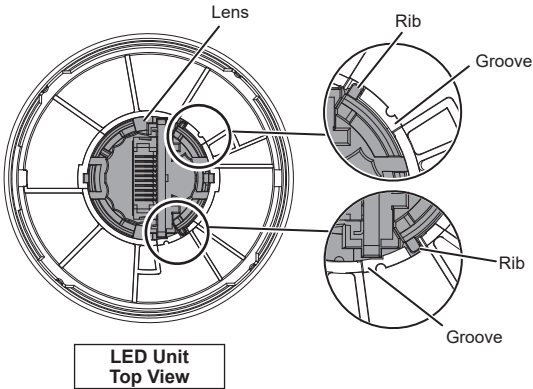
## <Troubleshooting the LED Unit>

The structure of the LED Unit is indicated below.

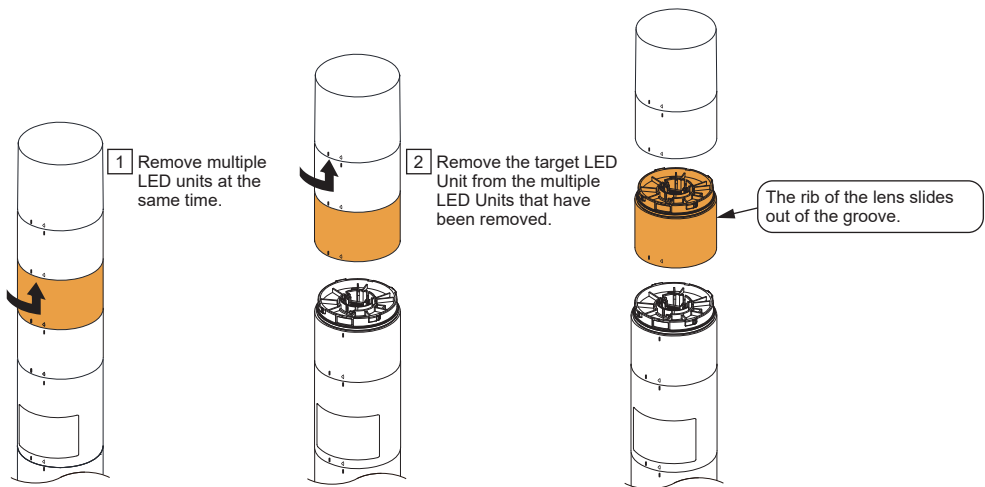
Status	Condition
 <p>LED Unit</p> <p>Body</p>	 <p>Lens</p> <p>Positioning Mark</p> <p>Rib/Groove</p> <p>Rib/Groove</p> <p><b>LED Unit (Detached) Top View</b></p> <p>The rib of the lens generally fits into the groove when the LED Unit has been removed from the product.</p>
 <p>LED Unit</p> <p>Body</p>	 <p>Lens</p> <p>Positioning Mark</p> <p>Rib</p> <p>Groove</p> <p>Rib</p> <p>Groove</p> <p><b>LED Unit (Attached) Top View</b></p> <p>The rib of the lens generally does not sit in the groove while the LED Unit is attached to the product.</p>

**⚠ Caution**

Check whether the rib of the lens inside of the LED Unit fits into the groove if the LED Unit does not attach properly. Attach the LED Unit by referring to the next page if the rib does not fit into the groove as shown in the diagram below. In addition, the rib may slide out of the groove during removal as shown in the diagram below depending on how the LED Unit is removed. Attaching the LED Unit to the product again in this state may result in damage.

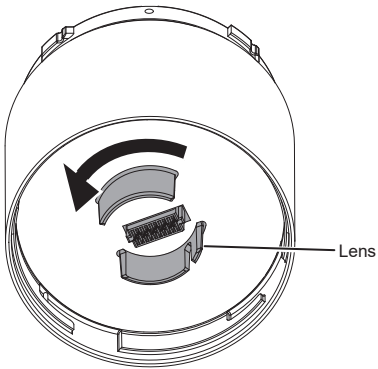


Do not remove the LED unit as shown in below.  
The rib of the lens will slide out of the groove.  
Attaching the LED Unit to the product again in this state may result in damage.



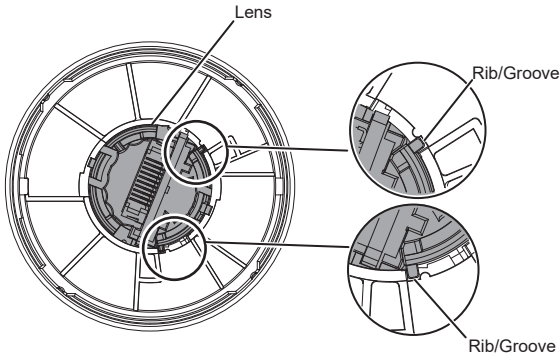


Use the procedure below if the LED Unit does not attach properly.



**LED Unit  
Bottom View**

Turn the lens inside the LED Unit in the counter-clockwise direction.  
Turn until the lens snaps in place, and then attach the LED Unit to the product.



**LED Unit  
(Attachable Status)  
Top View**

## 9 Troubleshooting

Troubleshoot problems that occur by following the instructions in the table below.

No.	Problem	Confirmation	Remedy
1	<b>The LED does not light.</b>	Has the wiring been connected properly?	Wire the LED again while referring to the instructions in " <b>5</b> Wiring" (p. 6).
		Is the power source supplying the proper voltage and current?	Check whether the connected IO-Link is putting out the proper voltage.
2	<b>The color of the LED differs from the desired color.</b>	Is the processing data correct?	Refer to the instructions in " <b>6</b> How to Use" (p. 7-8), and resend the processing data.
		Is a custom independent color control unit being used?	Send processing data compatible with the color selected in the control instead of the light color for the independent color control unit.
3	<b>The LED does not flash.</b>	Is the processing data correct?	Refer to the instructions in " <b>6</b> How to Use" (p. 7-8), and resend the processing data.
		Are the parameters correct?	Specify the parameters while referring to the instructions in " <b>6</b> How to Use" (p. 7-8).
4	<b>The sound of the buzzer is low.</b>	Are the volume settings for the buzzer too low?	Adjust the volume while referring to the instructions in " <b>7</b> Buzzer Settings" (p. 9).
5	<b>The buzzer does not sound.</b>	Is the processing data correct?	Send the process data while referring to the instructions in " <b>6</b> How to Use" (p. 7-8).
		Is the Buzzer Unit attached?	The Buzzer Unit is an optional part. Check " <b>12</b> Optional Parts" (p. 27), and then attach the Buzzer Unit to the product by referring to " <b>8</b> Detaching the Unit" (p. 10-21).

Check the "Information for Inquiries," and then contact the nearest PATLITE Sales Representative if you cannot resolve the problem even after the above troubleshooting.

Information for Inquiries			
Product Name	IO-Link Signal Tower	Date of Purchase	/ /
Model	(→ <b>2</b> Model Number Configuration [p. 2])	Problem	Please provide as much detail as possible.

# 10 Specifications

## General Specifications

Model		LR6-3ILWMNW-RYG
Rated Voltage		24 V DC
Voltage tolerance range		18 V DC to 30 V DC
Rated current consumption	Standard	170 mA
	Maximum	200 mA
Rated power consumption	Standard	4 W
	Maximum	5 W
Inrush current		10 A / 0.3 msec
Ambient operating temperature		-20 °C to +50 °C
Ambient operating humidity		90 % RH or less; No condensation
Ambient storage temperature		-30 °C to +60 °C
Ambient storage humidity		90 % RH or less; No condensation
Installation location		Indoor
Installation direction		Upright direction
Protection Rating		IP65, NEMA TYPE 4X, 13
Environmental conditions		When installed in the upright direction
Insulation resistance		5 MΩ or more at 500 V DC between charging parts and non-charging metal parts
Withstanding voltage		1 minute at 500 V AC between charging parts and non-charging metal parts
Mass (Tolerance: ±10 %)		0.38 kg
Exterior dimensions		See "3 Names and Dimensions"
Compliance standards		UL 508, CSA-C22.2 No. 14, EMC Directive (EN 61000-6-4, EN 61000-6-2) RoHS Directive (EN 50581), FCC Part 15 Subpart B Class A KC (KN 61000-6-4, KN 61000-6-2)
Notes		The brightness of each LED may differ according to the characteristics of the LED or color variations in each individual LED or the product.
Function		- LED control - Buzzer control - Operational mode/pattern settings - LED flashing/intermittent - Buzzer Pattern Settings
Communication Specification	IO-Link revision	1.1
	Transmission speed	COM2 (38.4 kbps)
	Minimum cycle time	8 ms
	Processing data length	6 byte / 0 byte (input from master / output to master)
Vendor ID		763
Device ID		80001


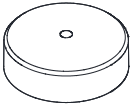
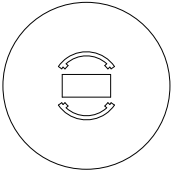
The requirements in each law and regulation are only included in the language designated by each law and regulation. Check the instruction manuals published in each language.

Model		LR6-ILWMNW	LR6-ILWCNW
Rated Voltage		24 V DC	
Voltage tolerance range		18 V DC to 30 V DC	
Rated current consumption	Standard	170 mA	
	Maximum	200 mA	
Rated power consumption	Standard	4 W	
	Maximum	5 W	
Inrush current		10 A / 0.3 msec	
Ambient operating temperature		-20 °C to +50 °C	
Ambient operating humidity		90 % RH or less; No condensation	
Ambient storage temperature		-30 °C to +60 °C	
Ambient storage humidity		90 % RH or less; No condensation	
Installation location		Indoor	
Installation direction		Upright direction	
Protection Rating		IP65, NEMA TYPE 4X, 13	
	Environmental conditions	When installed in the upright direction	
Insulation resistance		5 MΩ or more at 500 V DC between charging parts and non-charging metal parts	
Withstanding voltage		1 minute at 500 V AC between charging parts and non-charging metal parts	
Mass (Tolerance: ±10 %)		0.2 kg	0.16 kg
Exterior dimensions		See "3 Names and Dimensions"	
Compliance standards		UL 508, CSA-C22.2 No. 14, EMC Directive (EN 61000-6-4, EN 61000-6-2) RoHS Directive (EN 50581), FCC Part 15 Subpart B Class A KC (KN 61000-6-4, KN 61000-6-2)	
Function		<ul style="list-style-type: none"> <li>- LED control</li> <li>- Buzzer control</li> <li>- Operational mode/pattern settings</li> <li>- LED flashing/intermittent</li> <li>- Buzzer Pattern Settings</li> </ul>	
Communication Specification	IO-Link revision	1.1	
	Transmission speed	COM2 (38.4 kbps)	
	Minimum cycle time	8 ms	
	Processing data length	6 byte / 0 byte (input from master / output to master)	
Vendor ID		763	
Device ID		80001	

The requirements in each law and regulation are only included in the language designated by each law and regulation. Check the instruction manuals published in each language.

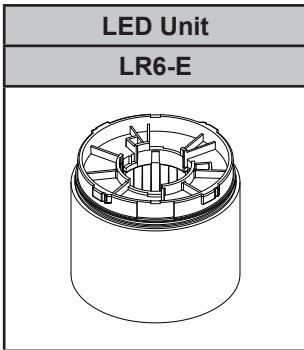
# 11 Service Parts

These are the various parts for the customer to use when repairing or replacing parts for the product.

O-ring 60	Head Cover 60 [W/A]	Shading Sheet 60
 5 pcs.	 5 pcs.	 5 pcs.

## 12 Optional Parts

The optional parts for this product are listed below. (Top line: Part Name; Bottom: Model)



### Model Number Configuration

	Model			LED Unit Color	Globe Color
Model Number	<b>LR</b>	<b>6</b>	<b>- E -</b>	↓	↓

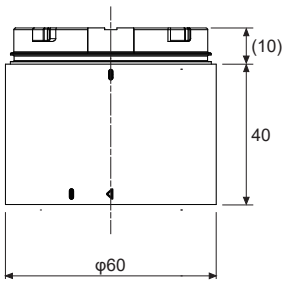
\* **LR6** - **Z**

<b>R</b>	Red
<b>Y</b>	Amber
<b>G</b>	Green
<b>B</b>	Blue
<b>C</b>	White
<b>M</b>	Multicolor*

<b>(None)</b>	Colored Globe
<b>Z</b>	Clear Globe

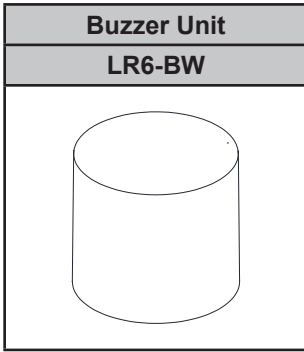
### External Diagram

(Unit: mm)



### General Specifications

Model	LR6-E-□□
Ambient operating temperature	-20 °C to +50 °C
Ambient operating humidity	90 % RH or less; No condensation
Mass (Tolerance: ±10 %)	0.060 kg
Notes	The brightness of each LED may differ according to the characteristics of the LED or color variations in each individual LED or the product.



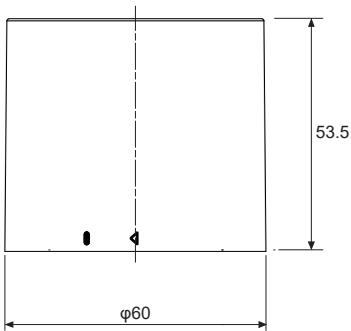
### Model Number Configuration

	Model			Body Color (Material)
Model Number	<b>LR</b>	<b>6</b>	<b>- B</b>	<b>W</b>

**W** Off-white (PC)

### External Diagram

(Unit: mm)

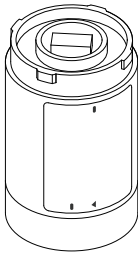


### General Specifications

Model		LR6-BW	
Ambient operating temperature		-20 °C to +50 °C	
Ambient operating humidity		90 % RH or less; No condensation	
Mass (Tolerance: ±10 %)		0.060 kg	
Buzzer sound/ frequency (typ.)	No. 1	Rapid intermittent beep (call sign) / 3378 Hz	
	No. 2	Continuous beep sound / 3378 Hz	
	No. 3	Rapid hi-low / 2016 Hz & 3012 Hz	
	No. 4	Sweep sound / 1000 Hz - 4032 Hz	
Sound pressure level		Typ. 84 dB	Noise reduction approx. -10 dB Toggle with DIP switch See "7 Buzzer Settings"
Environmental conditions		Buzzer sound; No. 4 Sweep sound measured from a distance of 1m in a total circumference from the buzzer source.	

## Wireless Data Communication System Transmitter

**WDT-6LR-Z2**



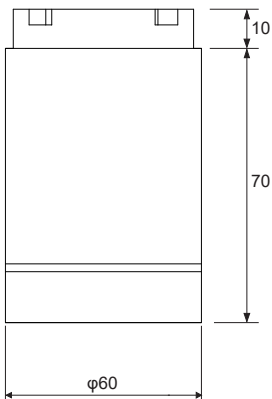
## Model Number Configuration

	Model	Compatible Product	
Model Number	<b>WDT</b>	<b>6LR</b>	<b>Z2</b>

**6LR** LR Model Signal Tower Size:  $\Phi 60$

## External Diagram

(Unit: mm)







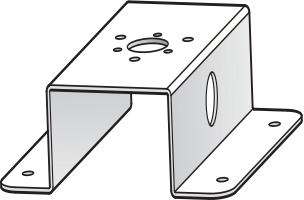


## General Specifications

Model	WDT-6LR-Z2
Ambient operating temperature	-20 °C to +50 °C
Ambient operating humidity	85 % RH or less; No condensation
Mass (Tolerance: $\pm 10$ %)	0.085 kg
Communication standard	IEEE 802.15.4 (Wireless communication)
Communication frequency	2405 MHz to 2480 MHz (16 channels)
Communication distance	Estimated to be approx. 30 m (Reference value)



The optional parts for attachment are listed in the following table:

<p><b>Pole Bracket</b></p>	<p><b>Wall Mounting Bracket</b></p>	<p><b>Wall Mounting Bracket</b></p>
<p><b>SZP-004W</b></p>	<p><b>SZK-001U</b></p>	<p><b>SZK-003W</b></p>
		
<p><b>Mounting Bracket</b></p>	<p><b>Mounting Bracket</b></p>	<p><b>Aluminum Pole</b></p>
<p><b>SZ-010</b></p>	<p><b>SZ-016A</b></p>	<p><b>POLE-[100/300/800]A21</b></p>
		
<p><b>Mounting Bracket</b></p>		
<p><b>SZW-002W</b></p>		
		

## **PATLITE Corporation** G2J

<b>PATLITE Corporation</b> ※Head office	■ <a href="http://www.patlite.com/">www.patlite.com/</a>
<b>PATLITE (U.S.A.) Corporation</b>	■ <a href="http://www.patlite.com/">www.patlite.com/</a>
<b>PATLITE Europe GmbH</b> ※Germany	■ <a href="http://www.patlite.eu/">www.patlite.eu/</a>
<b>PATLITE (SINGAPORE) PTE LTD</b>	■ <a href="http://www.patlite-ap.com/">www.patlite-ap.com/</a>
<b>PATLITE (CHINA) Corporation</b>	■ <a href="http://www.patlite.cn/">www.patlite.cn/</a>
<b>PATLITE KOREA CO., LTD.</b>	■ <a href="http://www.patlite.co.kr/">www.patlite.co.kr/</a>
<b>PATLITE TAIWAN CO., LTD.</b>	■ <a href="http://www.patlite.tw/">www.patlite.tw/</a>
<b>PATLITE (THAILAND) CO., LTD.</b>	■ <a href="http://www.patlite.co.th/">www.patlite.co.th/</a>
<b>PATLITE MEXICO S.A. de C.V.</b>	■ <a href="http://www.patlite.com.mx/">www.patlite.com.mx/</a>