

図番	改訂	ページ
SZP-006-W18	A	1 / 1

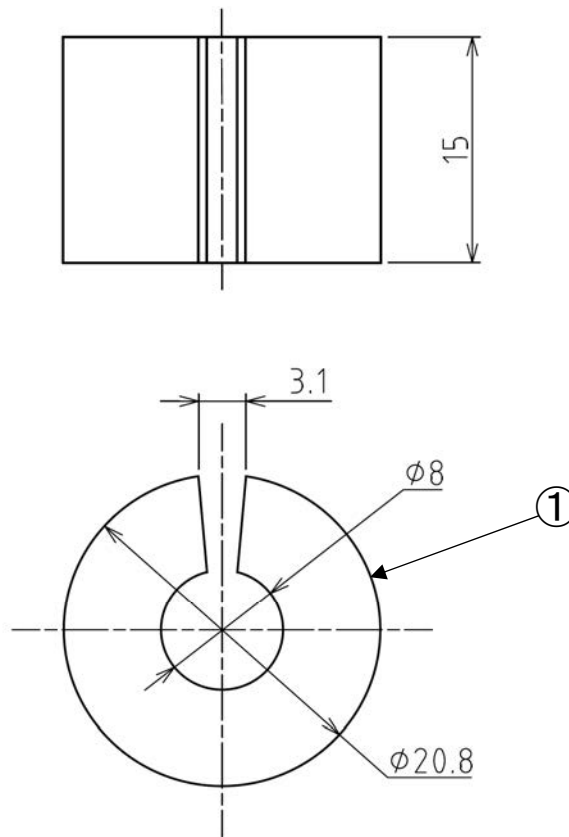
SPECIFICATIONS

[1. General Specifications]

Product Name	Grommet
Model	SZP-006
Applicable Pole	22POLE-300SAT
Remarks	There are no contents of controlled substances exceeding the threshold for the RoHS Directive.

[2. Outer Dimensions]

[mm]



No.	Name	Material	Color
1	Grommet	Silicone Sponge	Gray