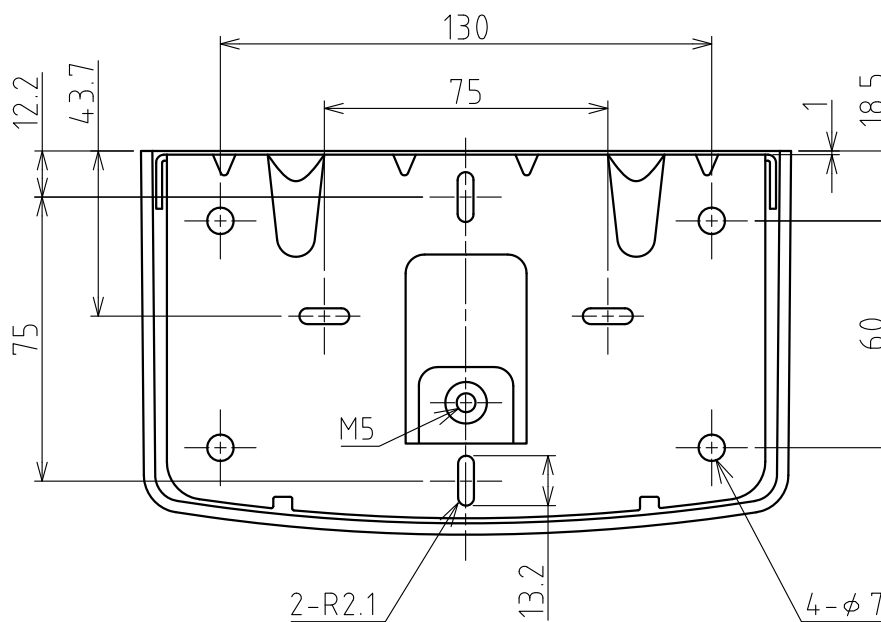
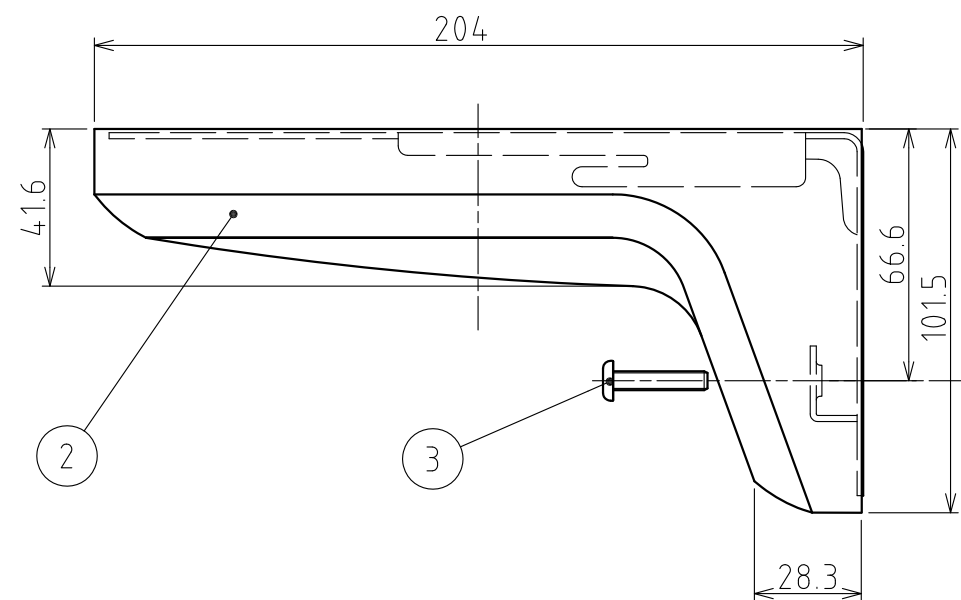
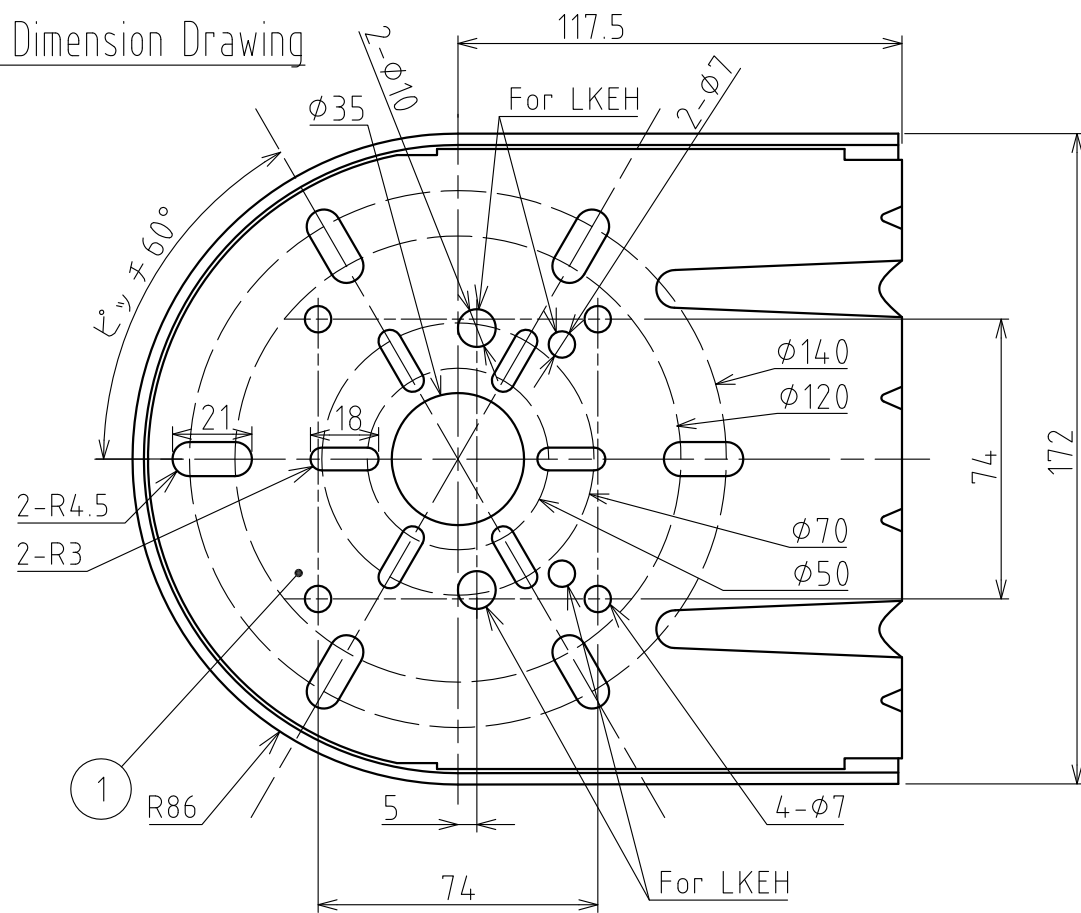
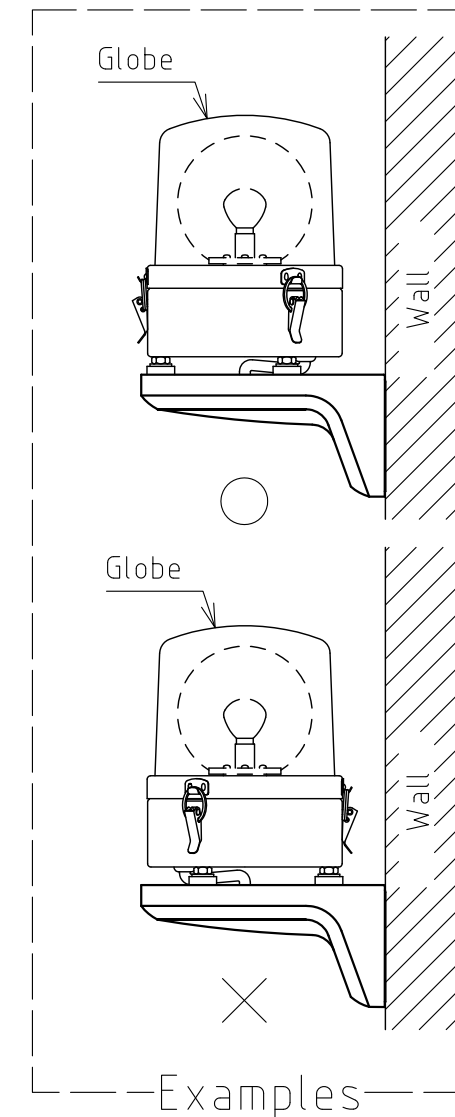


Outer Dimension Drawing



[Specification]

Model	SZ-023
Application Models	RLE, RKE(B), RHE(B), SKHE(B), RU, RS, RH(B)-A, RK(B)-A, SKH(B)-A, SKP-A, SKL-A, SKLA-A, SKR-A, RV-A, KG, KJ(B), RKPV, RKT, RT, RLR, KP-A, LG(E)H, PS(F)(X), KX, PES, PEW(-B), KHE, KPE, KLE, LKEH
Mounting Direction	Upright only
Operating Temperature Range	-30°C ~ +60°C
Mass	0.7±0.05kg



[Notes]

1. Install SZ-023 on a wall has sufficient strength and no vibration.
2. Refer to "Examples", when you install SKL-A,SKLA-A,KLE,RV-A.
(If you install these models in the miss direction, you can not remove its Globe)
3. In the case of installation SZ-023 with SZ-200A or SZ-210, Its protection rating is not IP55.

3	Screw		1	M5×25,SUS	
2	Bracket Cover		1	AES	Light Gray
1	Bracket		1	SECC,t=1.6,Coating	Light Gray
番号 No.	部品名 Part Name	品目コード Part No.	数量 Qty.	材料 & 寸法 & 処理 Material & Size & Finish	記事 Remarks

製品仕様書 Specifications
株式会社 パトライト PATLITE Corporation
SZ-023-W18B