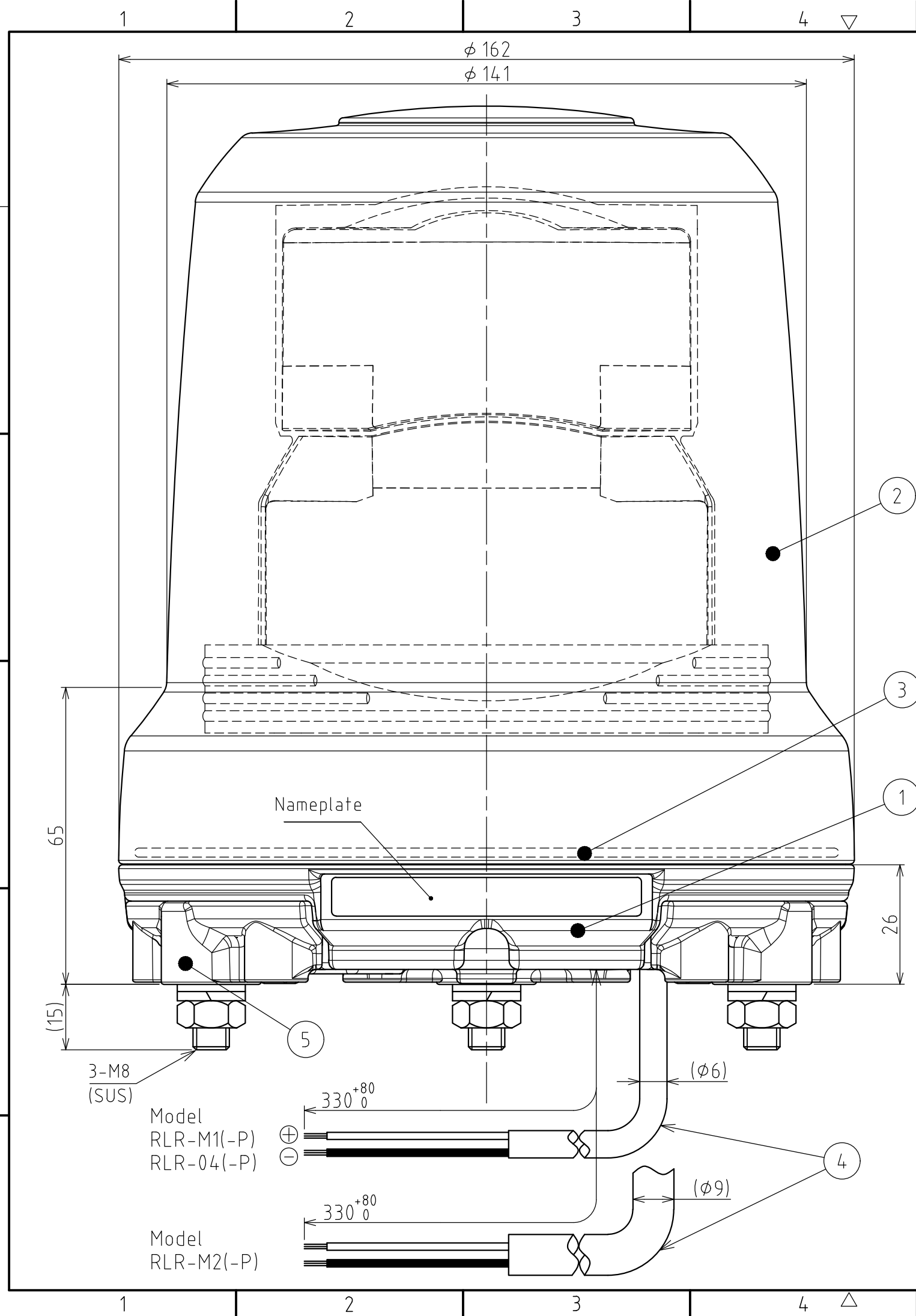


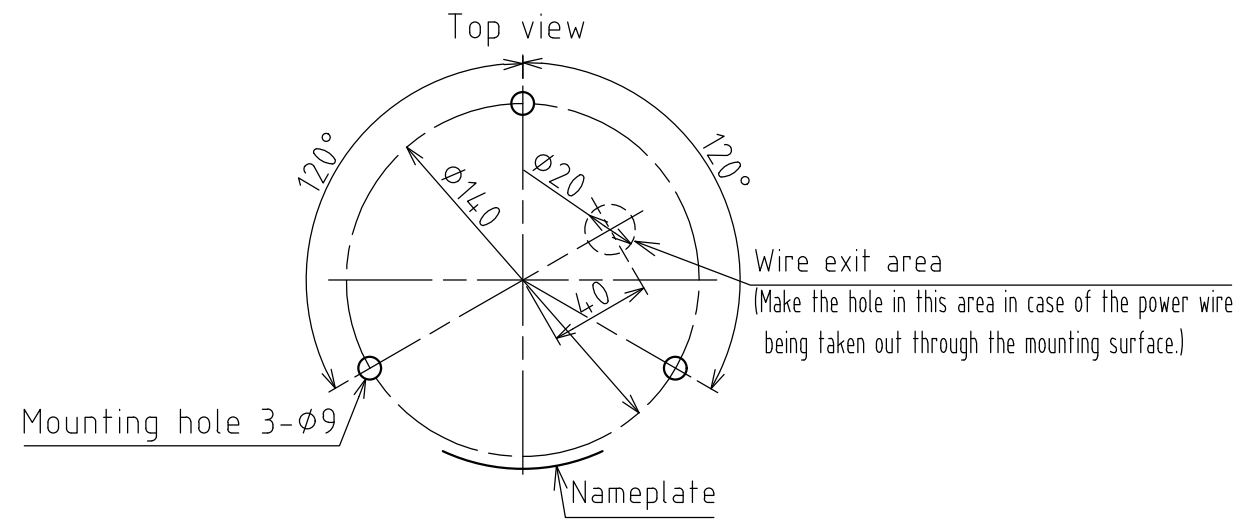
# SPECIFICATIONS

## [General Specifications]

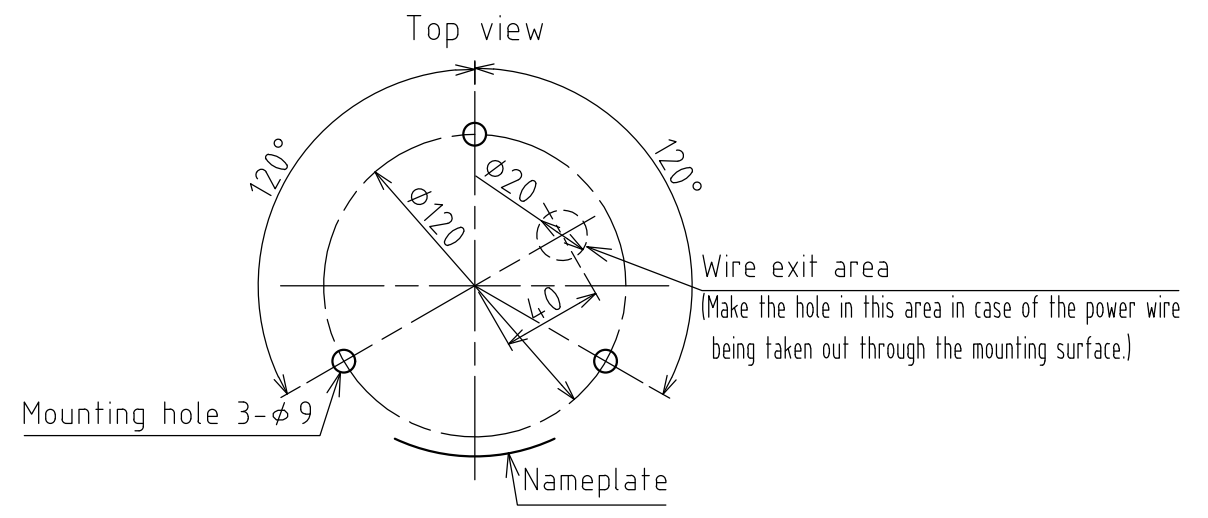
Product Name	LED 162mm Rotating		
Model	RLR-M1	RLR-04	RLR-M2
Rated Voltage	12V DC / 24V DC	48V DC	100V AC to 240V AC (50/60Hz)
Operating Voltage Range	9V DC to 32V DC	35V DC to 60V DC	90V AC to 250V AC (50/60Hz)
Rated Power Consumption	7.6W	8.2W	7.8W
Inrush Current	12V DC: 12A, 0.3ms 24V DC: 23A, 0.3ms	48V DC: 0.5A, 800ms	100V AC: 11A, 0.7ms 200V AC: 21A, 0.7ms
Operating Ambient Temperature	-30°C to +70°C		-10°C to +50°C
Operating Ambient Humidity	Less than 90% (No condensation)		
Mounting Location	Indoors and Outdoors		
Mounting Direction	Upright, Inverted		
Protection Rating	IP66		
Vibration Resistance	110m/s <sup>2</sup> (JIS D 1601-1995, 110 steps)		45m/s <sup>2</sup> (JIS D 1601-1995, 45 steps)
Insulation Resistance	More than 1MΩ at 500V DC between live part and non-current carrying metallic part		
Withstand Voltage	500V AC applied for 1min between live part and non-current carrying metallic part without breaking insulation		4000V AC applied for 1min
Flashing Rate	105 ± 16 Flashes Per Minute		
Luminous Intensity	Red : 1,500cd Amber : 5,400cd Green : 3,900cd Blue : 1,000cd		
Mass	1.0 ± 0.1kg		1.06 ± 0.1kg
Outer Dimensions	Refer to the Outer Dimension Drawing		
Conformity Standards	Conform to the CE Requirements: EN61000-6-2, EN61000-6-4		-
Remarks	<p>There are no contents of controlled substances exceeding the threshold for the RoHS Directive.</p> <p>&lt; Model Number Configuration &gt;</p> <p>R L R - □ □ - P - □</p> <div style="display: flex; justify-content: space-between; align-items: flex-start;"> <div style="margin-left: 100px;"> <p>None : Installation pitch circle φ140</p> <p>-P : Installation pitch circle φ120</p> </div> <div style="margin-left: 100px;"> <p>M1 : 12V DC / 24VDC</p> <p>04 : 48V DC</p> <p>M2 : 100V AC to 240V AC</p> </div> <div style="margin-left: 100px;"> <p>R : Red</p> <p>Y : Amber</p> <p>G : Green</p> <p>B : Blue</p> </div> </div>		



5		6		7		8						
指定公差 General tolerance	角度公差 Angular tolerance	±[°]		寸法公差 Dimensional tolerance		±[mm]						
	短辺長さ Length of short side	~	~	6	30	120	300					
	精	f	0.05	0.1	0.2	0.4	0.6					
	中	m	0.1	0.3	0.5	0.7	1					
粗	v	3	1.5	1	0.5	粗	c	0.3	0.5	1	1.2	2
図番 Drawing No.				RLR-W18								
改訂 Rev.		年月日 Date		改訂履歴 Revisions		ページ Page						
06.Jun.'18						2 / 2						



RLR-□□: Mounting hole template (1:3)



RLR-□□-P: Mounting hole template (1:3)

5	Rubber foot	3	EPDM, Black
4	Power wire	1	RLR-M1/04: HVCTF Black, 0.5mm <sup>2</sup> X2C RLR-M2 : VCT Black, 0.75mm <sup>2</sup> X2C
3	O-ring	1	Silicone rubber
2	Dome	1	PC Resin, Red・Amber・Green・Blue
1	Case	1	ABS Resin, Black
番号 No.	部品名 Part Name	数量 Qty.	記事 Remarks

機種 Model	RLR-□□(-P)	特注No. S.P.No.	-	図名 Name	Outer Dimensions Drawing
品目コード Part No.	-	尺度 Scale	1:1	三角法 3rd Angle P.	単位 Unit mm
				株式会社 PATLITE Corporation	Ver.2.0