

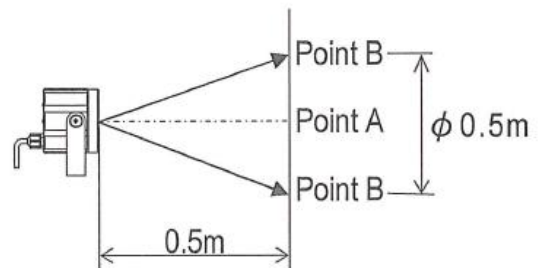
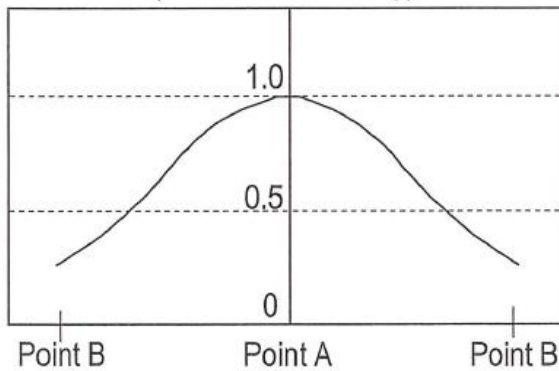
SPECIFICATIONS

[General Specifications]

Product Name		LED Work Light
Model		CLE-24
Rated Voltage		24V DC (non-polar)
Operating Voltage Range		Rated voltage \pm 10%
Power consumption		1.3W
Light Source	LED	24-LED of white high intensity
	Luminous intensity (at optical center)	25cd or more
Mounting	Place	Indoor or outdoor
	Direction	Upright, horizontal and sideways
Operating temperature range (Relative humidity)		-25°C ~ +60°C (90%RH or less)
Protection rating		IP65f conformity
Vibration Resistance		19.6m/s ² (30Hz)
Mass		0.3kg
No.CLE-24-A18C-1/2		

<Irradiation pattern (Referential data)>

(Relative luminosity)



1

2

3

4

5

6

7

8

指定 外公差 General Tolerance	角度公差 ±[°] Angular tolerance ±[°]			寸法公差 ±[mm] Dimensional tolerance ±[mm]					図番 Drawing No. CLE-24-W18		ページ Page 2 / 2	
	短辺 長さ Length of short side	~	~100	6	30	120	300	1000	改訂 Rev.	年月日 Date	改訂履歴 Revisions	
	精 f	10	50	100	精 f	0.05	0.1	0.2				0.4
	中 m	1	0.5	0.3	0.1	中 m	0.1	0.3	0.5	0.7	1	
粗 v	3	1.5	1	0.5	粗 c	0.3	0.5	1	1.2	2		

A

B

C

D

E

F

A

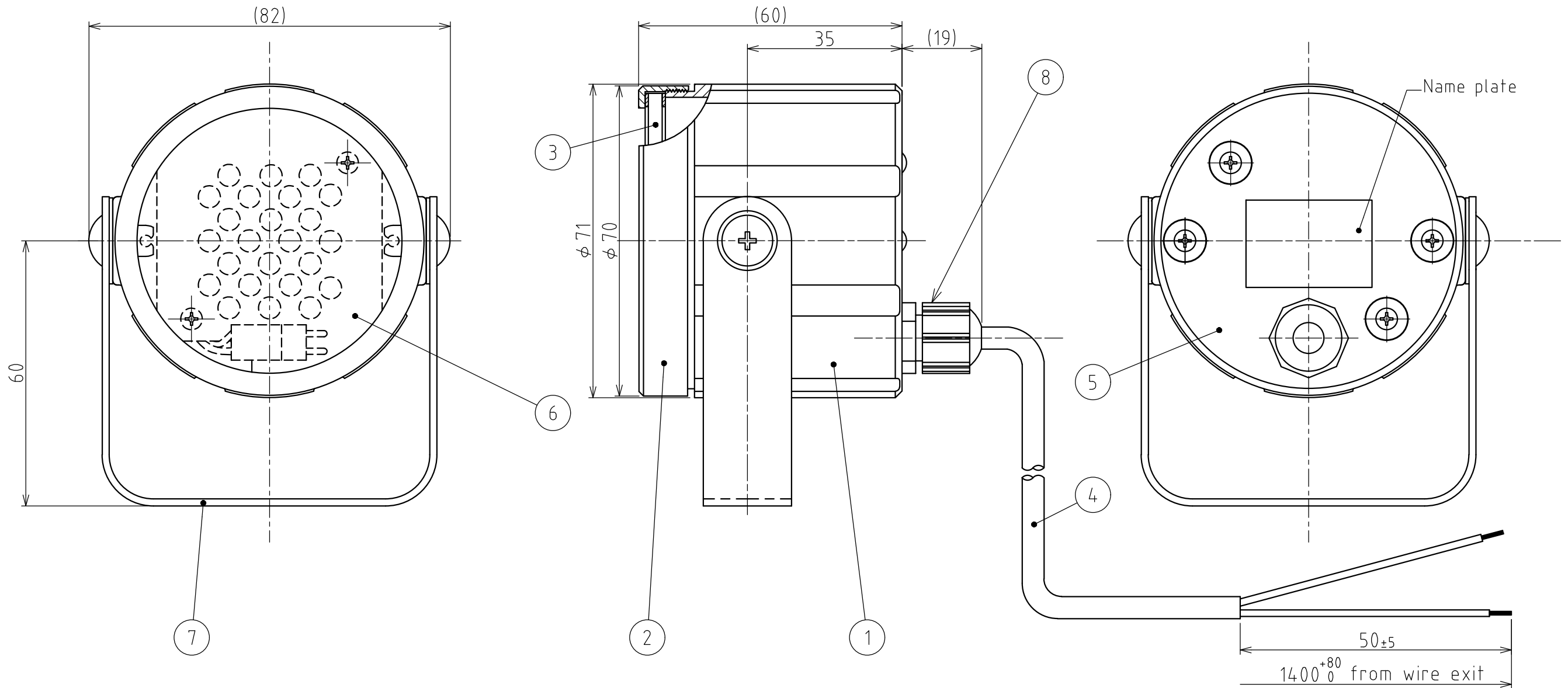
B

C

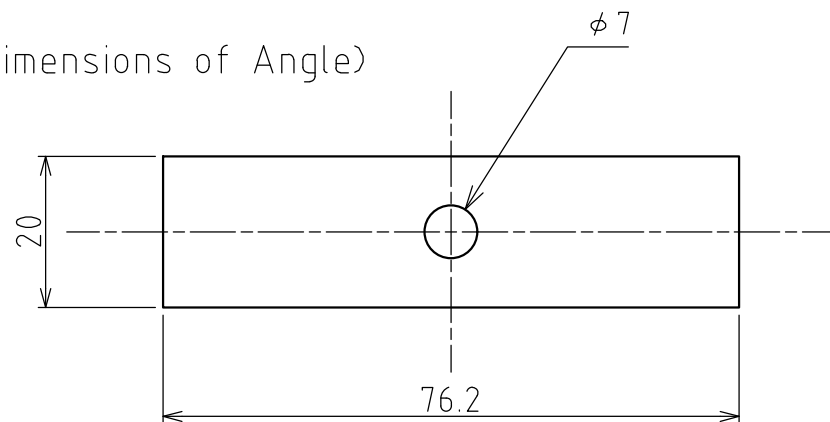
D

E

F



(Dimensions of Angle)



Note The body is grounded.

8	Cable clamp	1	
7	Angle	1	SPCC t=1.6
6	LED P.C.B. assembly	1	
5	Bottom plate	1	SPCC t=1.0, Plating
4	Power source cable	1	0.5mm ² Cabtire cable, Black
3	Smoke glass assembly	1	
2	Cap	1	Aluminum
1	Body	1	Aluminum extrusion, Alumite
番号 No.	部品名 Part Name	数量 Qty.	記事 Remarks

機種 Model	CLE-24	特注No. S.P.No.	-	図名 Name	Dimensions
品目コード Part No.	-	尺度 Scale	1:1	三角法 3rd Angle P.	単位 Unit mm
				株式会社 PATLITE Corporation	

1

2

3

4

5

6

7

8

Ver.2.2 A3