

Drawing No.	Rev.	Page
HSST-3M2-W18	C	1 / 5

SPECIFICATIONS

Model: HSST-3M2-RYG

PATLITE Corporation

1. General Specifications

Model	HSST-3M2-RYG	
UL Registered Model	HSST-3M2	
Rated Voltage	AC Adaptor input : 100~240VAC (50/60Hz) Output : 24VDC	
Operating Voltage	Rated Voltage $\pm 10\%$	
Rated Power Consumption	Max.	When all 3 tiers are on
		4W
Operating Ambient Temperature	0°C ~ +40°C	
Operating Ambient Humidity	Less than 90% RH (No Condensation)	
Mounting Location	Indoor Only	
Mounting Direction	Upright	
Protection Rating	Switch Box : IP20 (IEC 60529)	
	Signal Tower : IP54 (IEC 60529)	
Environmental Condition	Upright	
Insulation Resistance	5M Ω or more at 500VDC between the power input lead and chassis	
Withstand Voltage	1500VAC applied for 1min between live part and non-current carrying metallic part without breaking insulation	
Mass (Tolerance $\pm 10\%$)	Signal Tower (Short Pole)	0.36kg
	Signal Tower (Long Pole)	0.47kg
	Bracket	0.33kg
	Switch Box	0.07kg
	AC Adaptor	0.14kg
	Fitting Plate, Tightening Screw	0.05kg
Outer Dimensions	Refer to 2. Outer Dimensions	
Compliance Standards	There are no contents of controlled substances exceeding the threshold for the RoHS Directive.	
	FCC Part 15 Subpart B Class A	
	UL 48, CSA C22.2 NO.207	
Remarks	UL Listed (File No.E310210)	
	Due to the characteristics of the LED elements, a variation in difference of the color tone and brightness of every product may occur	

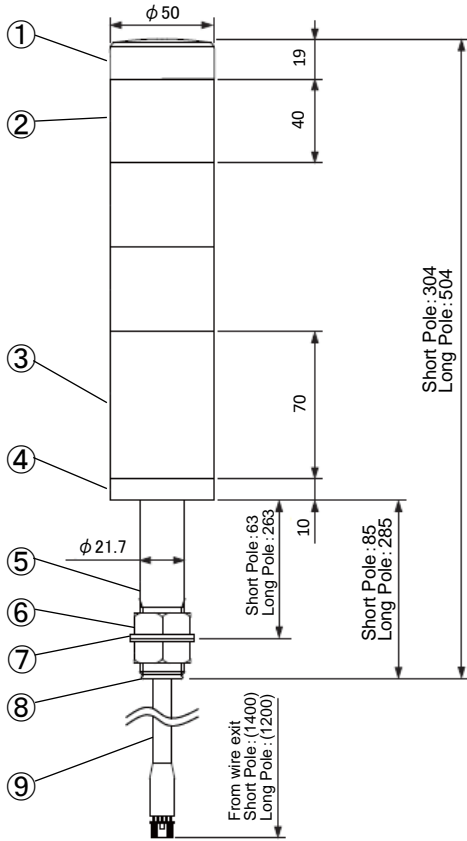
HSST-3M2-W18C-2_5

PATLITE Corporation

2. Outer Dimensions

(Unit: mm)

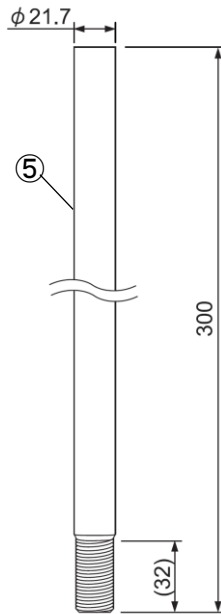
● Signal Tower



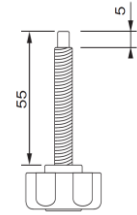
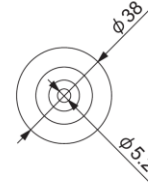
• Cable: UL2464(Φ5.2)

Number	Name	Material	UL Flammability
1	Head Cover	PC	V-2
2	Globe	PC	V-2
3	Body	PC	V-2
4	Pole Bracket	PC	V-1
5	Pole (Short/Long)	AL	-
6	Hex Nut	SUM	-
7	Washer	SUM	-
8	Rubber Bushing	EPR	-
9	Cable	PVC	-

● Long Pole




● Fitting Plate



Accessory

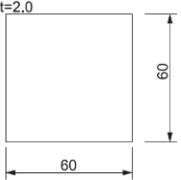
Tapping Screw

3X18



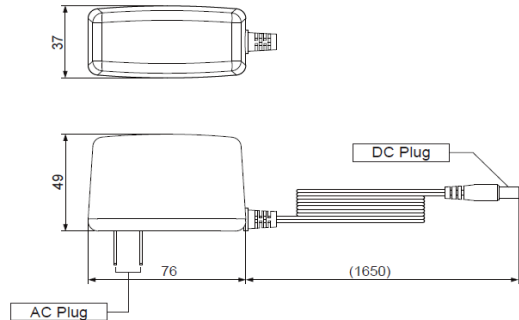
2pcs.

Double-sided Tape



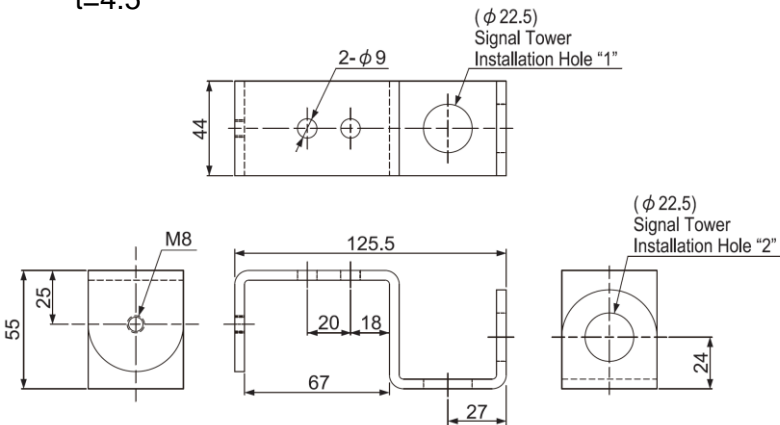
1 pc.

● AC Adaptor



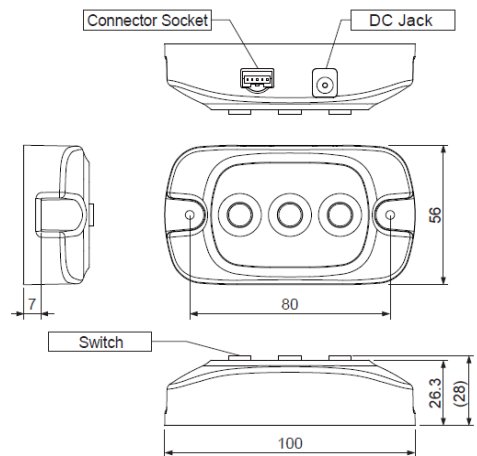
● Bracket

t=4.5



Name	Material
Bracket	SPHC-P

● Switch Box

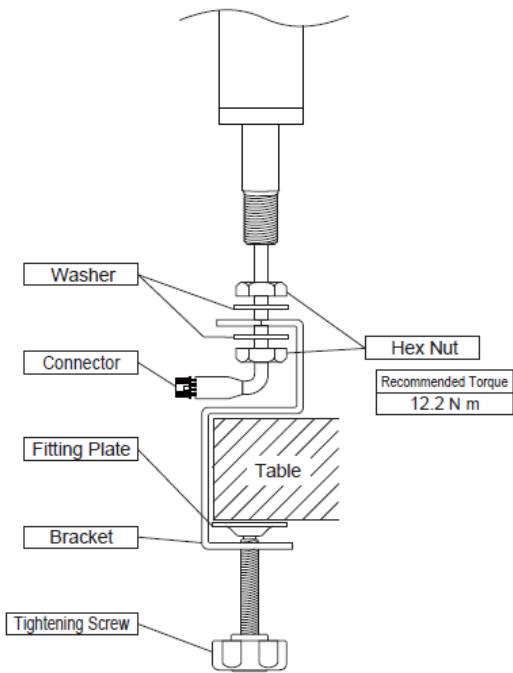


Name	Material	UL Flammability
Case (Switch Box)	PC	V-2

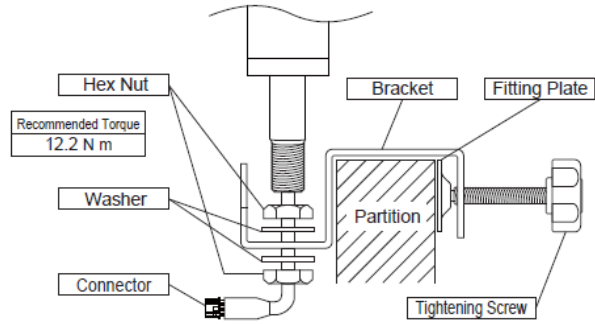
3. Mounting

3.1 Product Installation

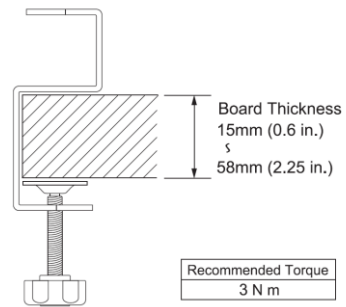
3.1.1 Table Installation



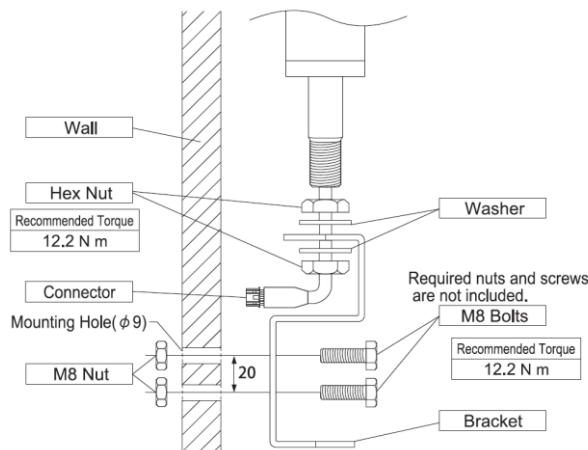
3.1.2 Partition Installation



※Allowable Board Thickness (For installation):



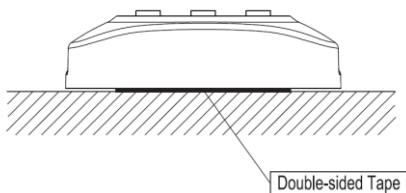
3.1.3 Wall-mount Installation



3.2 Switch Box Installation

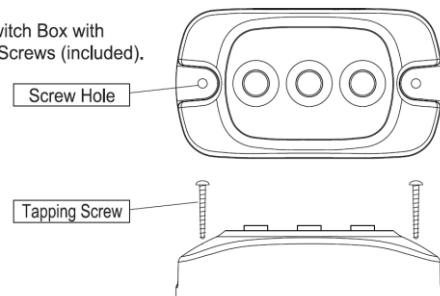
3.2.1 Double-sided Tape Installation

Install the Switch Box by cutting and pasting the Double-sided Tape (included).



3.2.2 Tapping-screw Installation

Install the Switch Box with the Tapping Screws (included).



4. Wiring/Operation

4.1 Wiring and Operation

- After connecting the connector cable of this product into the connector socket located on the side of the Switch Box, then plugging the DC Jack into the DC Plug, insert the AC Adaptor into an AC (Range from 100VAC to 240VAC) outlet. Each time the switch is pressed, the corresponding Signal Tower LED Unit switches alternately between lit and unlit modes.

