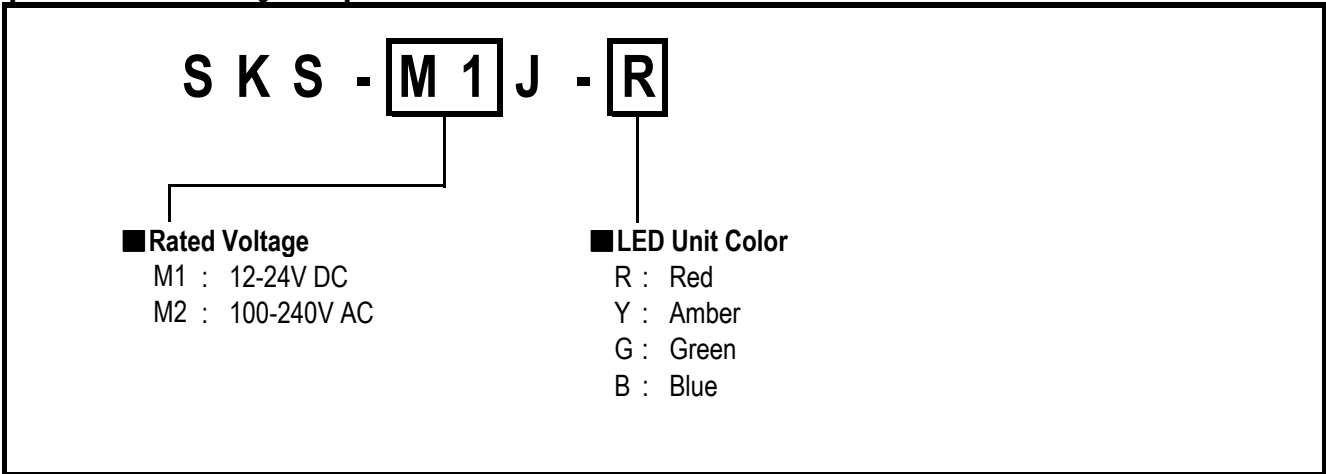


SPECIFICATIONS

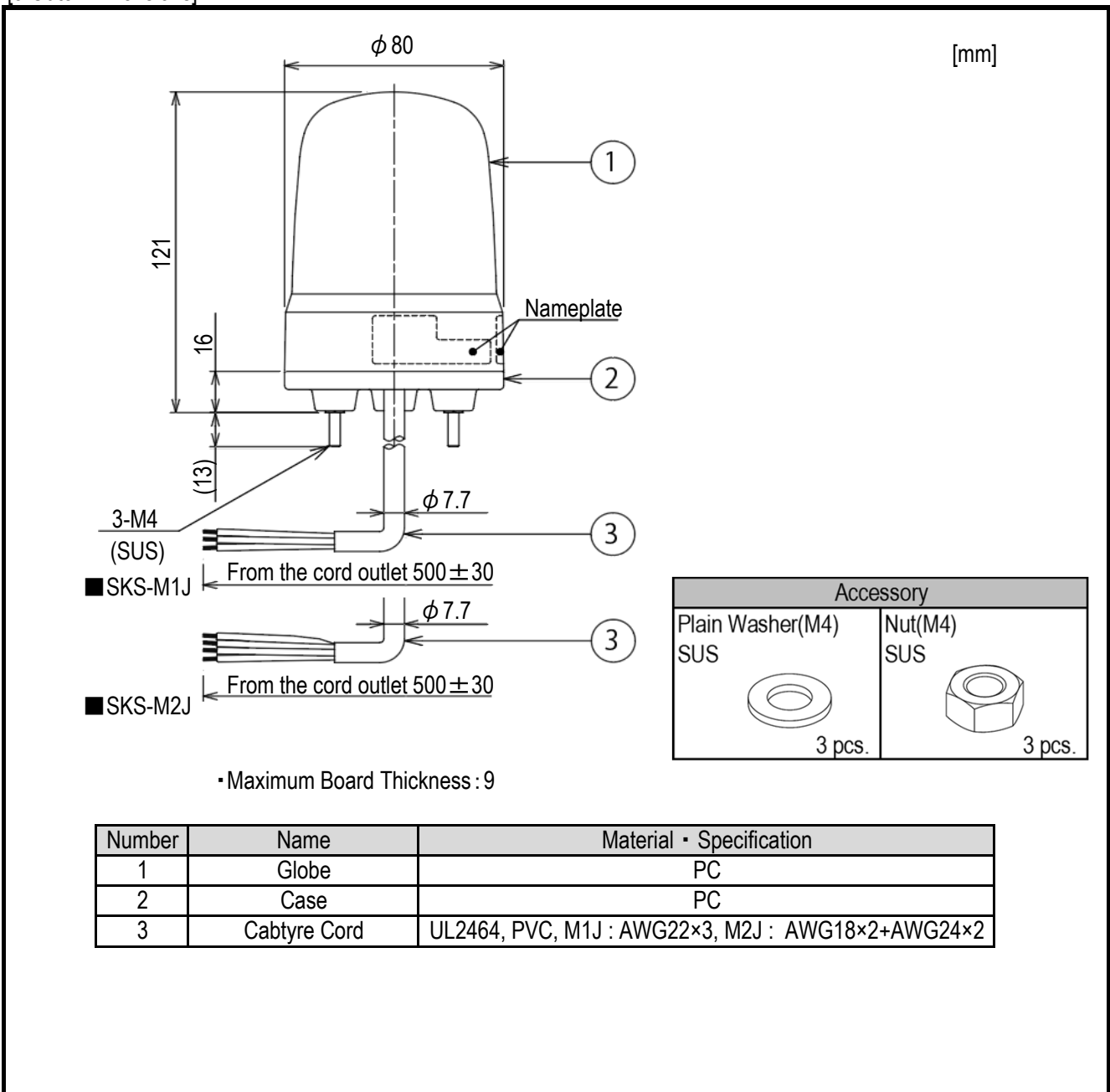
[1. General Specifications]

Product Name		Rotating Beacons					
Model		SKS-M1J-□		SKS-M2J-□			
Rated Voltage		12-24V DC		100-240V AC (50/60Hz)			
Operating Voltage Range		10-30V DC		90-250V AC			
Rated Current Consumption		12V DC	24V DC	100V AC	240V AC		
	Max.	0.21A	0.12A	0.07A	0.04A		
Rated Power Consumption		2.5W	2.9W	3.0W			
	Max.						
Operating Ambient Temperature		-10°C to +50°C					
Operating Ambient Humidity		Less than 90 % (No condensation)					
Storage Ambient Temperature		-20°C to +60°C					
Storage Ambient Humidity		Less than 90 % (No condensation)					
Mounting Location		Indoor/Outdoor					
Mounting Direction		Indoor : Upright, Inverted & Sideways Outdoor : Upright					
Protection Rating		IP23					
		IP65(when used with SZW-102 Rubber Gasket attachment)					
Environmental Condition		Upright					
Insulation Resistance		More than 1MΩ at 500V DC between live part and non-current carrying metallic part		More than 3MΩ at 500V DC between live part and non-current carrying metallic part			
Withstand Voltage		500V AC applied for 1min between live part and non-current carrying metallic part without breaking insulation		4,000V AC applied for 1min between live part and non-current carrying metallic part without breaking insulation			
Mass (Typ.)		0.24kg		0.27kg			
Flashing Rate (Typ.)		120 rpm					
Conformity Standards		UL					
		UL508, CSA-C22.2 No.14 (UL File No.E215660)					
		EMC Directive		EN61000-6-4		EN61000-6-4, EN61000-6-2	
				EN61000-6-2		EN61000-3-2, EN61000-3-3	
		KC		KN61000-6-4, KN61000-6-2			
		FCC		FCC Part15 SubpartB ClassA, ICES-003 ClassA			
		RoHS Directive		EN50581			
Low Voltage Directive				IEC/EN60947-5-1, EN62471			
EAC		TPTC020/2011		TPTC020/2011, TPTC004/2011			
		UL, Low Voltage Directive, and EAC have been evaluated for use in indoor industrial control equipment.					
Remarks		Due to the characteristics of the LED elements, there may be a slight variation in color tone and brightness between products.					

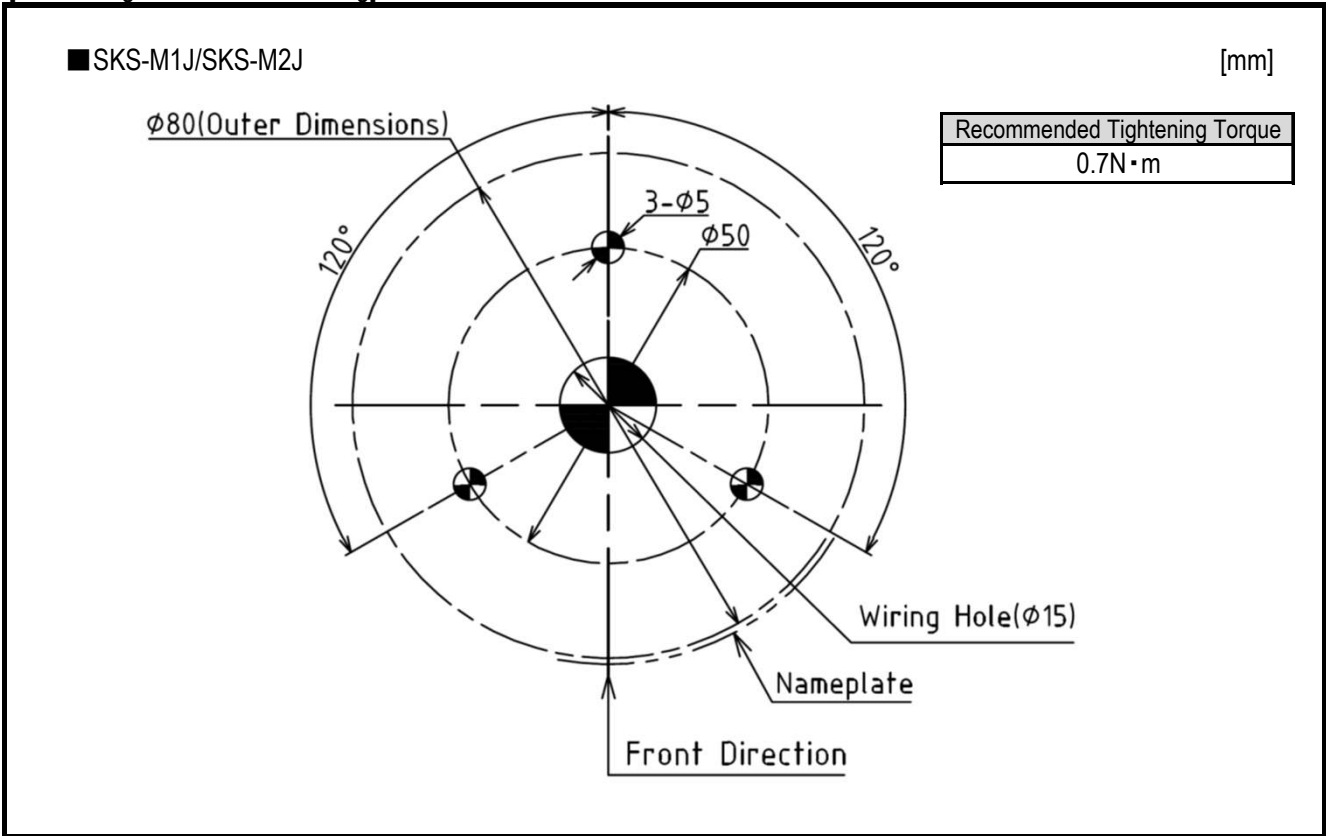
[2.Model Number Configuration]



[3.Outer Dimensions]



[4. Mounting Dimensional Drawing]



[5. Wiring Example]

