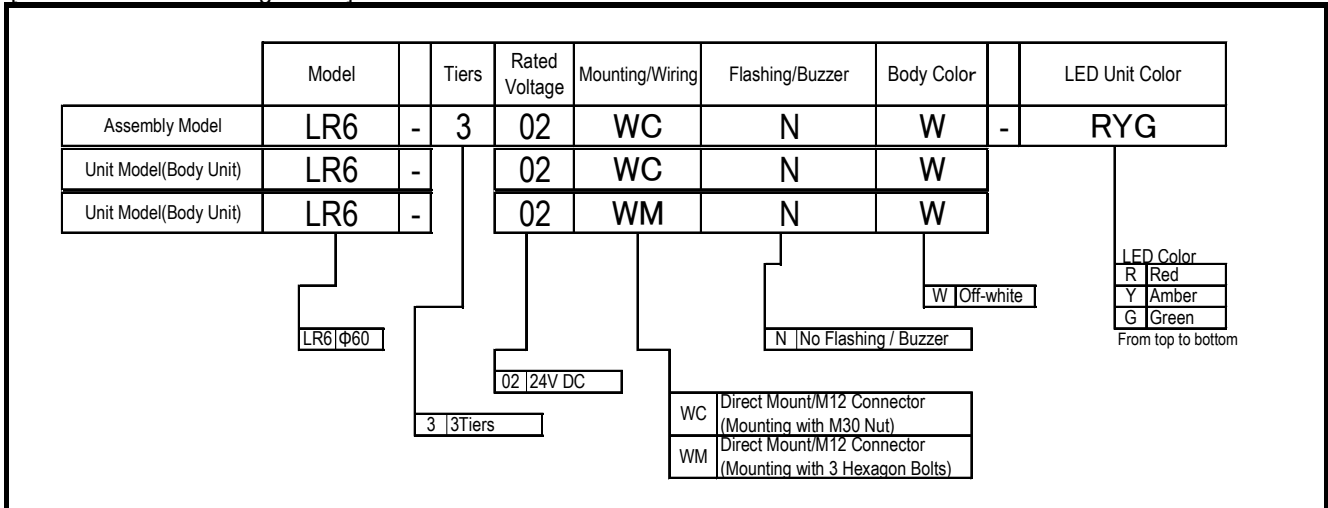


<h1>SPECIFICATIONS</h1>

[1.General Specifications]

Product Name		Signal Tower	
Model		LR6-□02WCNW	LR6-02WMNW
UL Registered Model		LR6-_02WCN	LR6-_02WMN
Rated Voltage		24V DC	
Operating Voltage Range		Rated Voltage ±10%	
Rated Current	Typ.	LED Unit : 40mA	
	Max.	LED Unit : 45mA	
Consumption	Typ.	LED Unit : 1W	
	Max.	LED Unit : 1.3W	
Rated Power		LED Unit : 1W	
Consumption		LED Unit : 1.3W	
Operating Ambient Temperature		-20°C to +50 °C	
Operating Ambient Humidity		Less than 90 % (No condensation)	
Storage Ambient Temperature		-30°C to +60 °C	
Storage Ambient Humidity		Less than 90 % (No condensation)	
Mounting Location		Indoor	
Mounting Direction		Upright	
Protection Rating		IP65(IEC 60529) / NEMA TYPE 4X,13	
Environmental Condition		Upright	
Insulation Resistance		More than 1MΩ at 500V DC between live part and non-current carrying metallic part	
Withstand Voltage		500V AC applied for 1min between live part and non-current carrying metallic part without breaking insulation	
Mass (Tolerance ±10%)		LR6-302WCNW : 0.35kg , LR6-02WCNW : 0.17kg , LR6-02WMNW : 0.21kg	
Outer Dimensions		Refer to the 3.Outer Dimensions	
Compatible Unit (Optional)	LED Unit Model	LR6-E-R,Y,G,B,C,RZ,YZ,GZ,BZ,MZ	
	Buzzer Unit Model	LR6-BW	
Conformity Standards		UL 508, CSA-C22.2 No. 14	
		RoHS Directive (EN 50581)	
		EMC Directive (EN 61000-6-4, EN 61000-6-2)	
		FCC Part 15 SubpartB Class A	
		KC (KN 61000-6-4, KN 61000-6-2)	
Remarks		UL Recognized Component (File No.E215660)	
		Due to the characteristics of the LED elements, a variation in difference of the color tone and brightness of every product may occur	

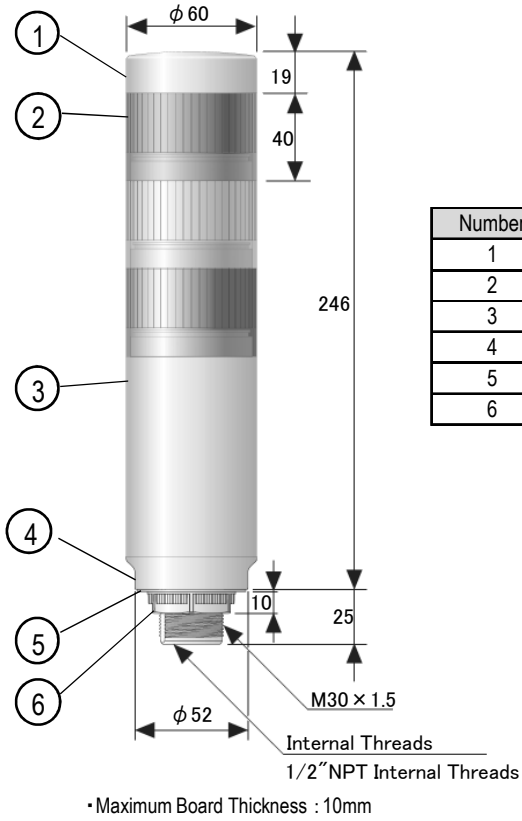
[2.Model Number Configuration]



[3.Outer Dimensions]

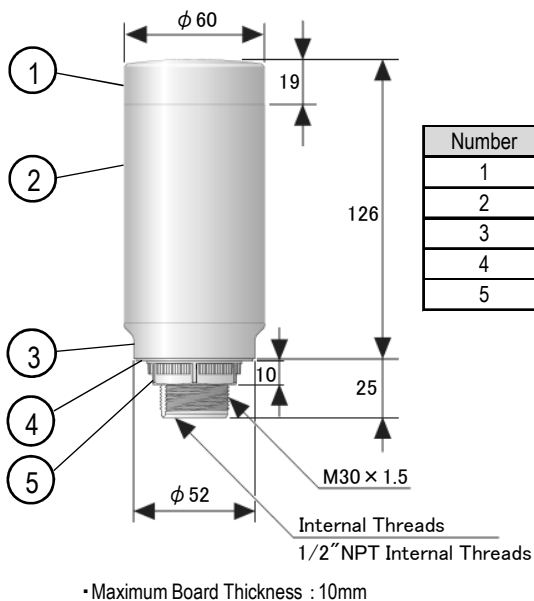
[mm]

■ LR6-302WCNW-RYG



Number	Name	Material	UL Flammability
1	Head Cover	PC	V-2
2	LED Unit	PC	V-2
3	Body	PC	V-2
4	Direct Mount Bracket	PC	V-2
5	Waterproof Packing (t =1)	Silicone Rubber	-
6	M30 Nut	PC	V-2

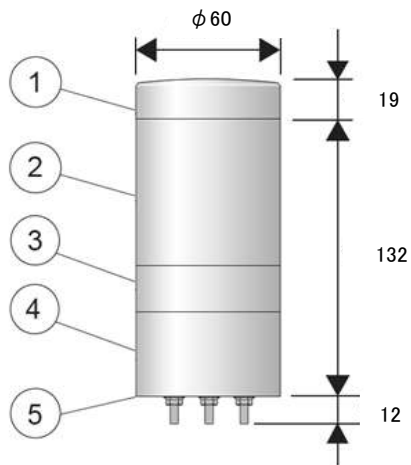
■ LR6-02WCNW



Number	Name	Material	UL Flammability
1	Head Cover	PC	V-2
2	Body	PC	V-2
3	Direct Mount Bracket	PC	V-2
4	Waterproof Packing (t =1)	Silicone Rubber	-
5	M30 Nut	PC	V-2

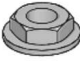
■ LR6-02WMNW

[mm]



•Maximum Board Thickness : 8mm

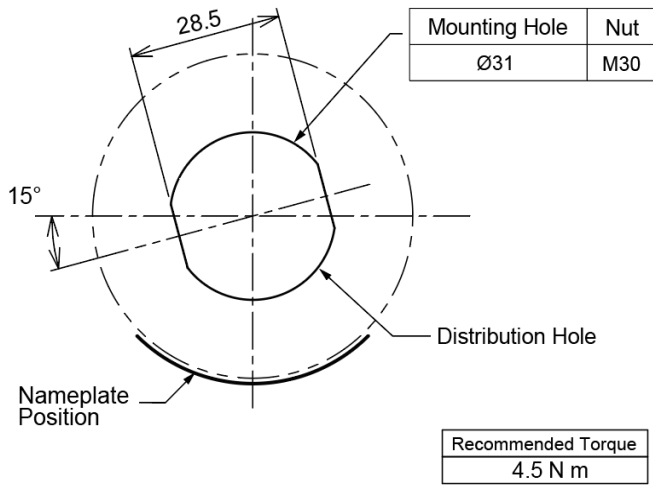
Number	Name	Material	UL Flammability
1	Head Cover	PC	V-2
2	Body	PC	V-2
3	M12 Bracket	PC	V-2
4	Direct Mount Bracket	PC	V-2
5	Waterproof Packing	Sillcon Rubber	-

Accessory
<p>LR6-WM</p> <p>Flanged nut (M4)</p>  <p>3pcs.</p>

[4.Mounting Dimensional Drawing]

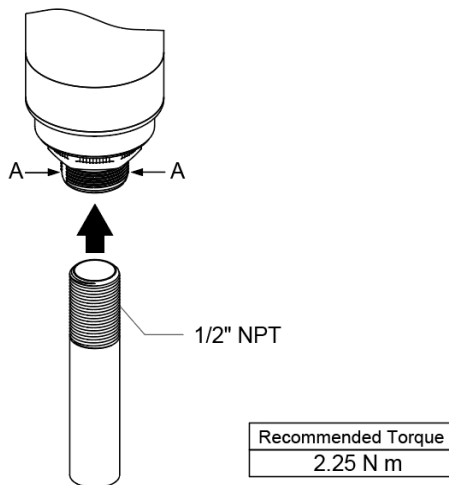
■ **WC** Mounting Dimensional Drawing(M30×1.5 Installation)

[mm]

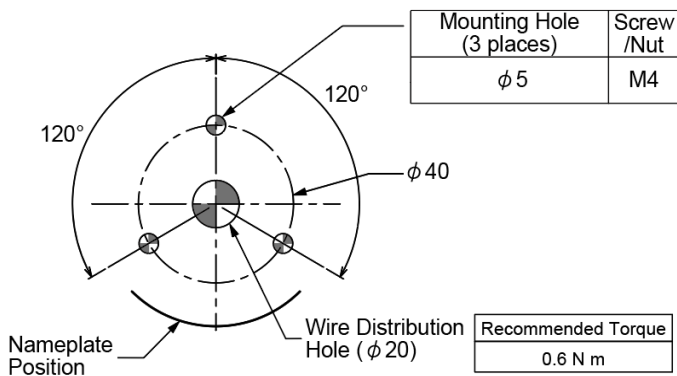


■ **WC** Installation Figure(1/2 NPT Installation Figure)

While holding part 'A', install the 1/2" NPT.
Failure to comply may result in damage.

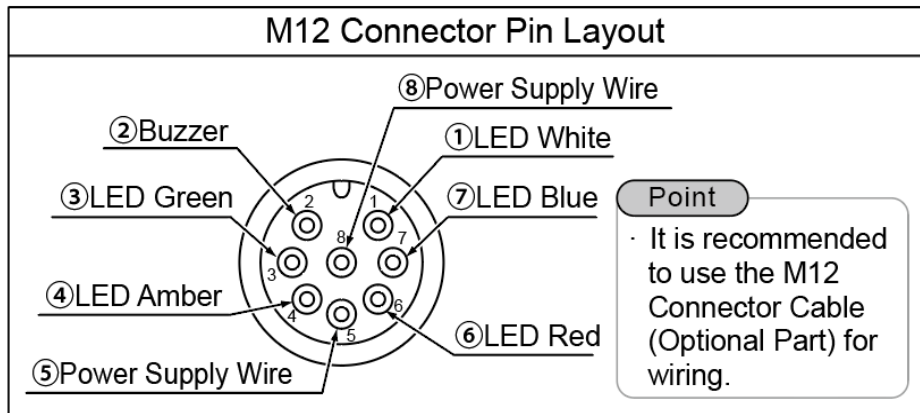


■ **WM** Mounting Dimensional Drawing

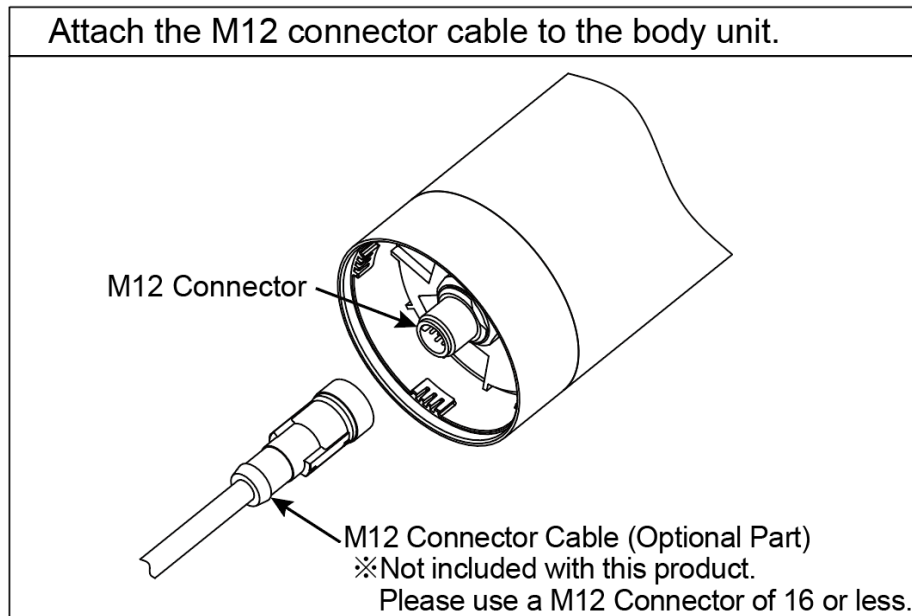


[5.Wiring Diagram]

5.1 M12 Connector Pin Layout
8-pin male(plug)



5.2 Attach the M12 connector with cable to the body unit.



5.3 Optional Parts

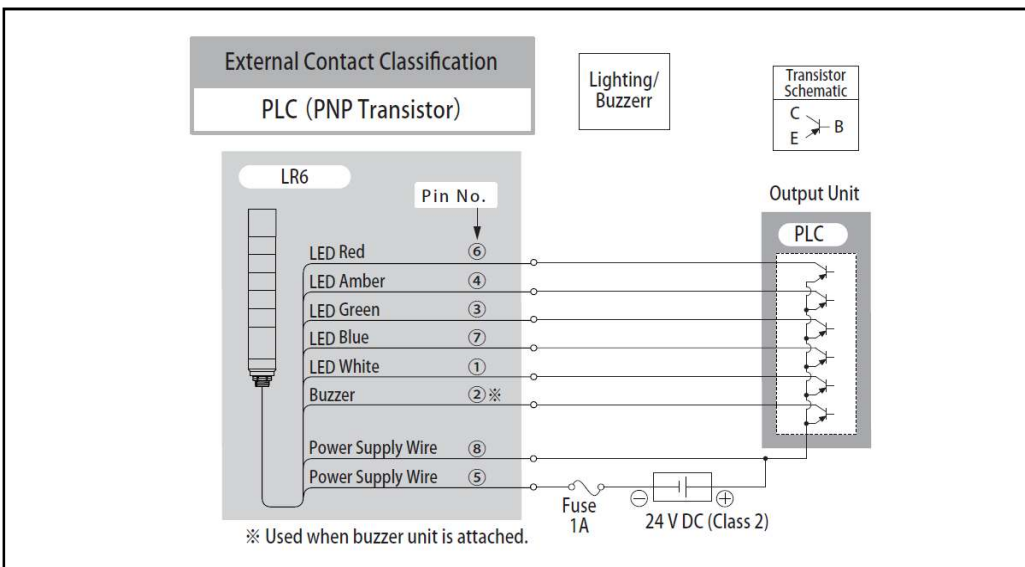
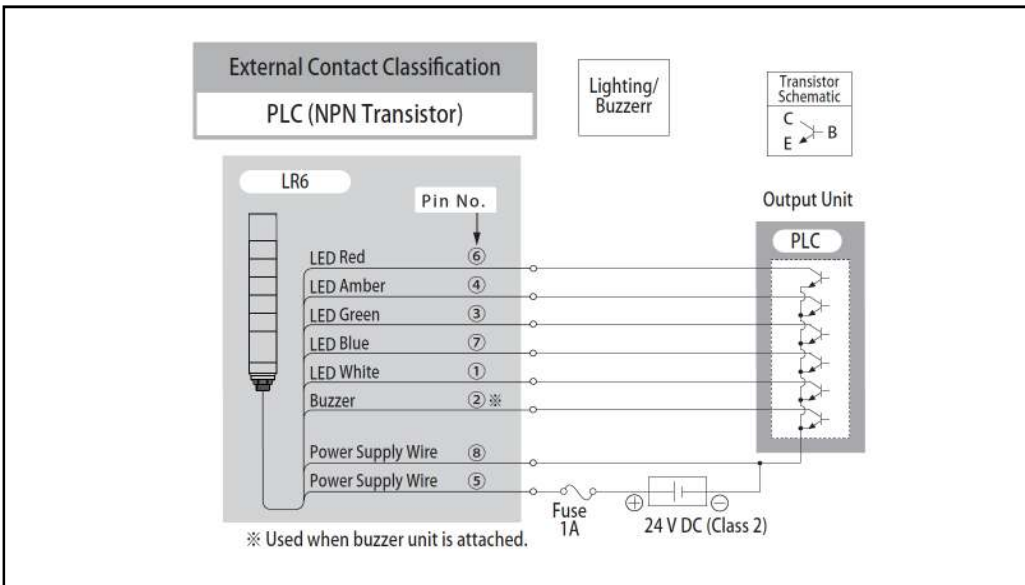
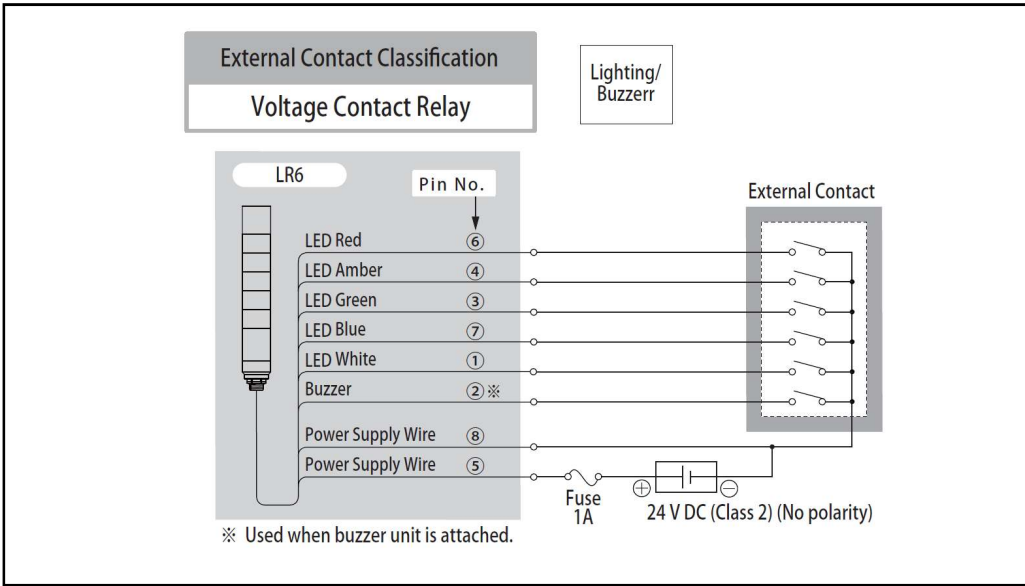
Optional Parts

M12 Connector with Cable
(Manufactured by the OMRON Corp.)

PIN No.	Wire Color
①	White
②	Brown
③	Green
④	Yellow
⑤	Gray
⑥	Pink
⑦	Blue
⑧	Red

SZ-120-02 / -05 / -10
(Lengths : 2m , 5m , 10m)

5.4 Wiring Example



5.5 External Contact Capacity

I_S : Current Capacity V_S : Withstand Voltage I_L : Leakage Current

Rated Load Voltage		24V DC			
LED Unit (1 Tier)	Signal Wire Current (Max.) / Voltage	100mA / Power Supply Voltage			
	Recommended Contact Capacity	$I_S \geq 100\text{mA}$ $V_S \geq 35\text{V DC}$			
Buzzer	Signal Wire Current (Max.) / Voltage	250mA / Power Supply Voltage			
	Recommended Contact Capacity	$I_S \geq 300\text{mA}$ $V_S \geq 35\text{V DC}$			
Power Supply	Current Consumption (Max.)	250mA (※1)			
	Signal Wire Current (Max.) / Voltage	$I_S \geq 500\text{mA}$ $V_S \geq 35\text{V DC}$			
Inrush Current	Signal Wire	LED	None	Buzzer	None (※2)
	Power Supply Wire	None (※3)			
Leakage Current		$I_L \leq 0.1\text{mA}$			

※1・・・Measured with five LED tiers and buzzer operating.

※2・・・Not exceeding Maximum Signal Wire Current Ratings

※3・・・Signal wire current (Max.) not exceeding the sum total.

■ Recommended Fuse

Fuse Rated Current	250 V / 1A (5x20mm Fast-Acting Glass Body Cartridge Fuse)
--------------------	---