

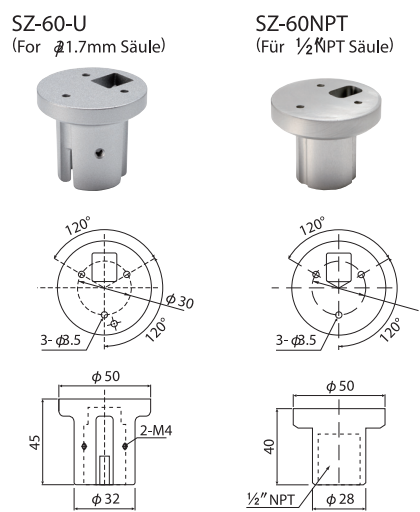
※ This page may contain part numbers that are still active. For details on discontinued and active part numbers, please refer to the corresponding product page from our website.

生産終了  
Production end

Obere Halterung für LU7

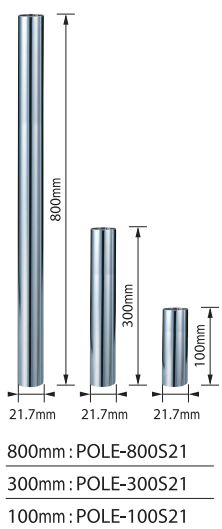


Obere Halterung für LU5

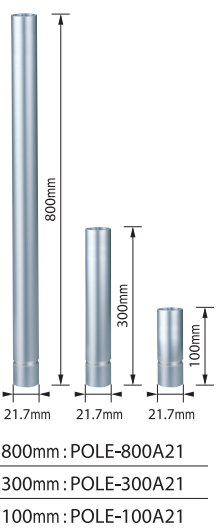


Säulen

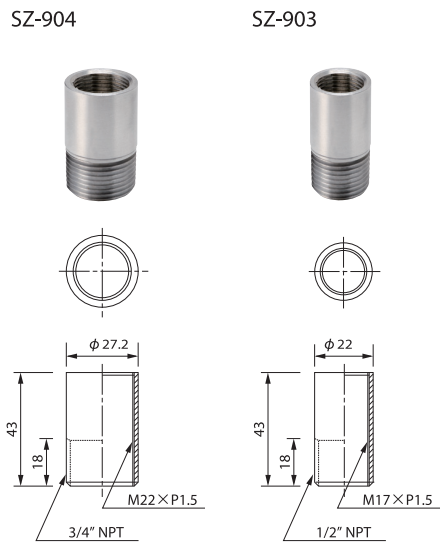
Stahlsäule



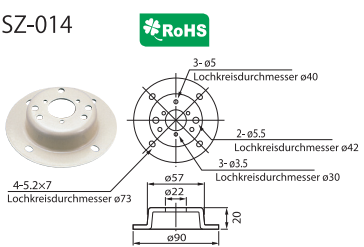
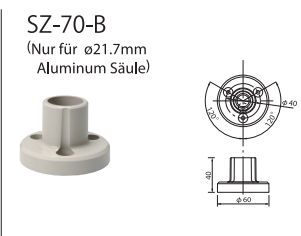
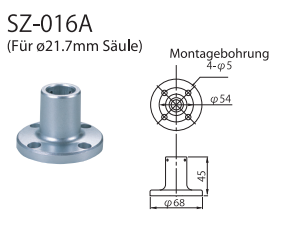
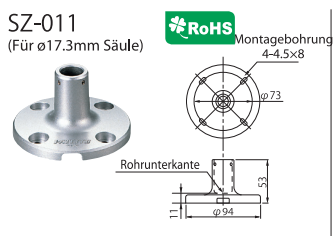
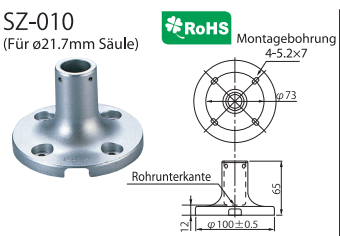
Aluminiumsäule



NPT Adapter



Montagehalter



Modell	Material	Kompatibles Modell
SZ-010		STD, RUP, LME, LMS, LHE
SZ-011	Guss aus Aluminiumlegierung	LCE, LCS, LE, LES-A
SZ-016A		LU5, LU7, STD, RUP, LME, LMS, LHE
SZ-70-B		
SZ-014	Kaltgewalzter gefräster Stahl	LE, LES-A