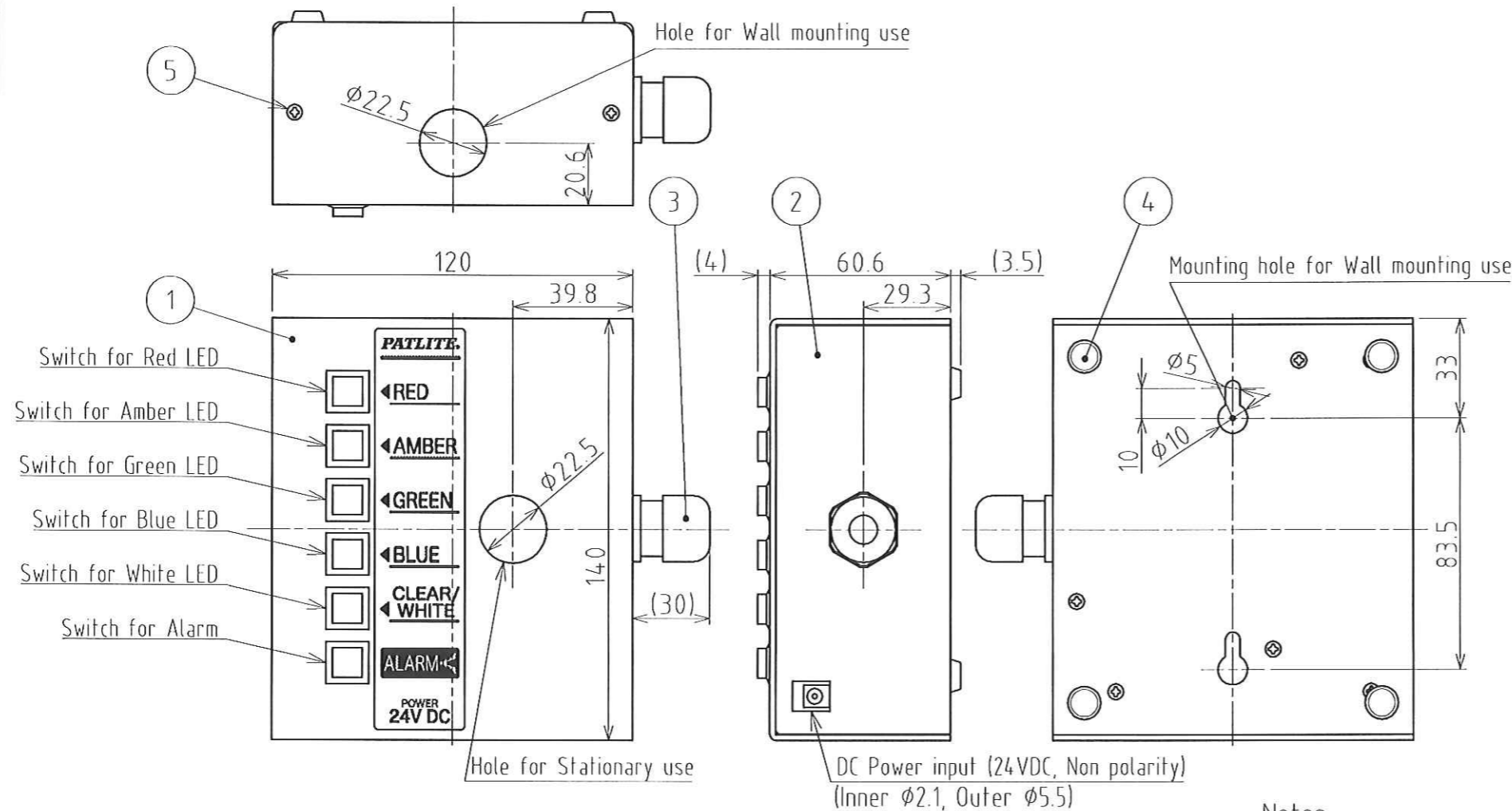


Model No. configuration

LCE-□02U□□-□□ FB175

Model No. of used signal tower.
(Refer to Specifications of LCE-□02U(FB).)

指定 公差	角度公差 ±[°]				寸法公差 ±[mm]						符号 Sym.	年月日 Date	訂正履歴 Revisions	記印 Sgn.	検印 Chk.	承認 App.	
	短辺 長さ length of short side	10	50	100	~6	~30	~120	~300	1000								
General 公差	精 f	1	0.5	0.3	0.1	中 m	0.1	0.3	0.5	0.7	1	△					
	粗 v	3	1.5	1	0.5	粗 c	0.3	0.5	1	1.2	2	△					



Dimensions

Wiring example

[CN1 Terminal block of Switch box]

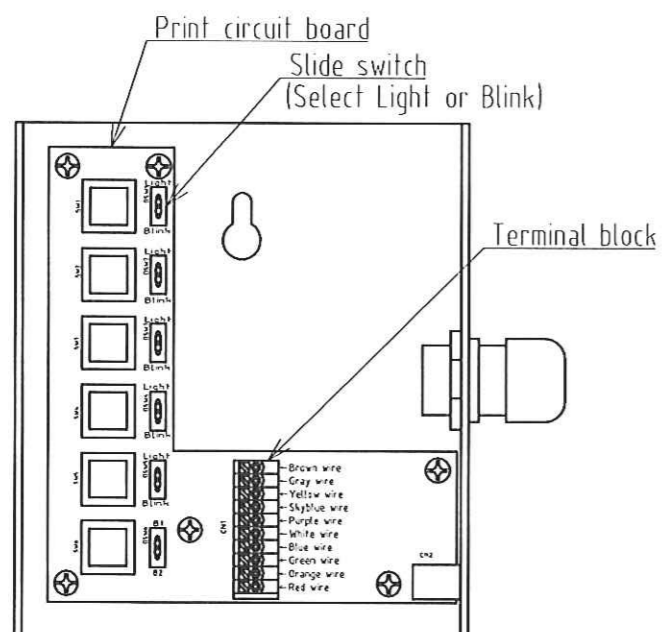
Terminal 1 (Red)	LED Red (Red wire)
Terminal 2 (Orange)	LED Amber (Orange wire)
Terminal 3 (Green)	LED Green (Green wire)
Terminal 4 (Blue)	LED Blue (Blue wire)
Terminal 5 (White)	LED White (White wire)
Terminal 6 (Gray)	Buzzer 1 (Purple wire)
Terminal 7 (Black)	Buzzer 2 (Skyblue wire)
Terminal 8 (Yellow)	Power supply wire (Yellow wire)
Terminal 9 (Gray)	Power supply wire (Gray wire)
Terminal 10 (Black)	Flashing common wire (Brown wire)

Specifications

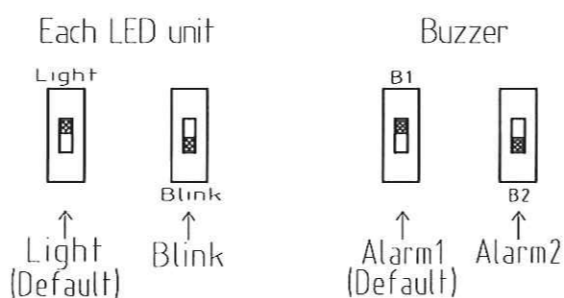
Rated voltage	24V DC (No polarity)
Operating voltage	Rated voltage $\pm 10\%$
Operating temperature range	0°C ~ +40°C (Less than 90%)
Mounting place	Indoor only
Protection rating	No protection
Mass	1110g $\pm 10\%$ (Switch box)

Notes

- The switch is 'Alternate switch' that is locked at ON-position or OFF-position.
- It is possible to control Lighting/Blinking separately by each the slide switch.
- The recommended fastening torque of the cover mounting screw is 0.29N·m.
Please don't fasten the cover mounting screw by the fastening torque above 0.29N·m.
- This product (Switch box) complies with RoHS Directive (DIRECTIVE 2002/95/EC).
- This product is applicable for LCE-□02U(FB).
(Please refer to Specifications of LCE-□02U(FB) for the specifications and dimensions.)



View the cover is opened

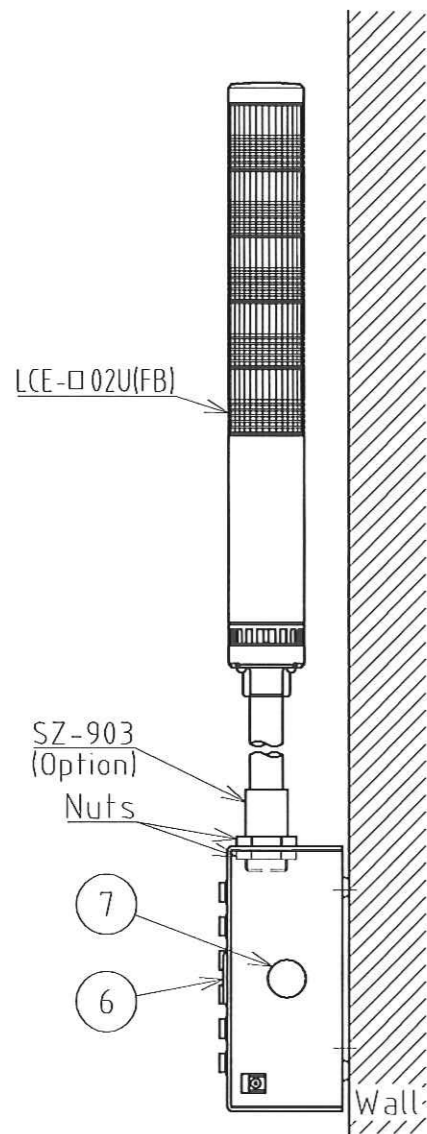


Slide switch setting

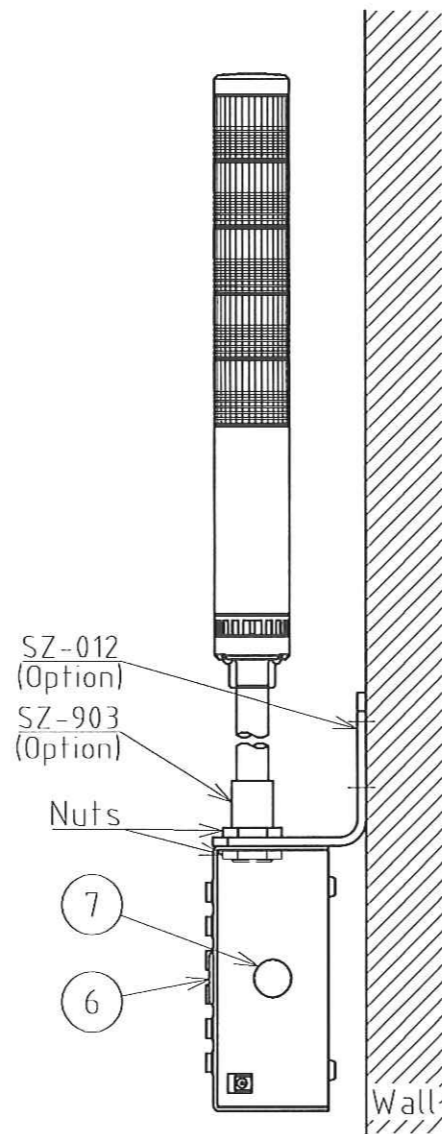
5	Cover mounting screw	-	4	MBNi, M3×6	
4	Rubber foot	-	4	NR	
3	Cable gland	-	1	M16×1.5S, Gray	
2	Case	-	1	SPCC, Silver coating	
1	Cover	-	1	SPCC, Silver coating	
番号 No.	部品名 Part Name	品目コード Part No.	数量 Qty.	材料 & 寸法 & 処理 Material & Size & Finish	記事 Remarks

設計 Dgn by	製図 Drn by	検図 Chk by	承認 App by	図名 Name	機種名 Model	特注 No. S.P.No.
Y.Nagayama	Y.Nagayama		M.Yoshida	Specifications	#LCE-□02U(FB)	FB175
2.Feb.'10	1.Apr.'10		7.Apr.'10	Switch box	品目コード Part No.	
三角法 3rd Angle P.	単位 Unit mm	尺度 Scale		株式会社 パトライト PATLITE Corporation	図番 Drawing No.	LCE-FB175-A18C-1/2

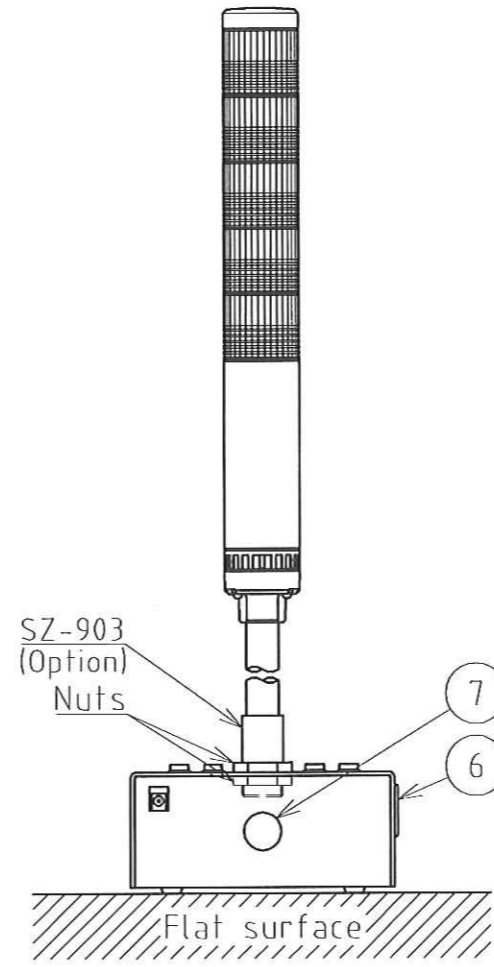
指定公差 General tolerance	角度公差 ±[°] Angular tolerance	寸法公差 ±[mm] Dimensional tolerance	符号 Sym.	年月日 Date	訂正履歴 Revisions	記印 Sgn.	検印 Chk.	承認 App.
短辺長さ Length of short side	~ 100	~ 6 ~ 30 ~ 120 ~ 300 ~ 1000	△-					
精 f	1 0.5 0.3 0.1	精 f 0.05 0.1 0.2 0.4 0.6	△-					
中 m	0.1 0.3 0.5 0.7 1	中 m 0.1 0.3 0.5 0.7 1	△-					
粗 v	3 1.5 1 0.5	粗 c 0.3 0.5 1 1.2 2	△-					



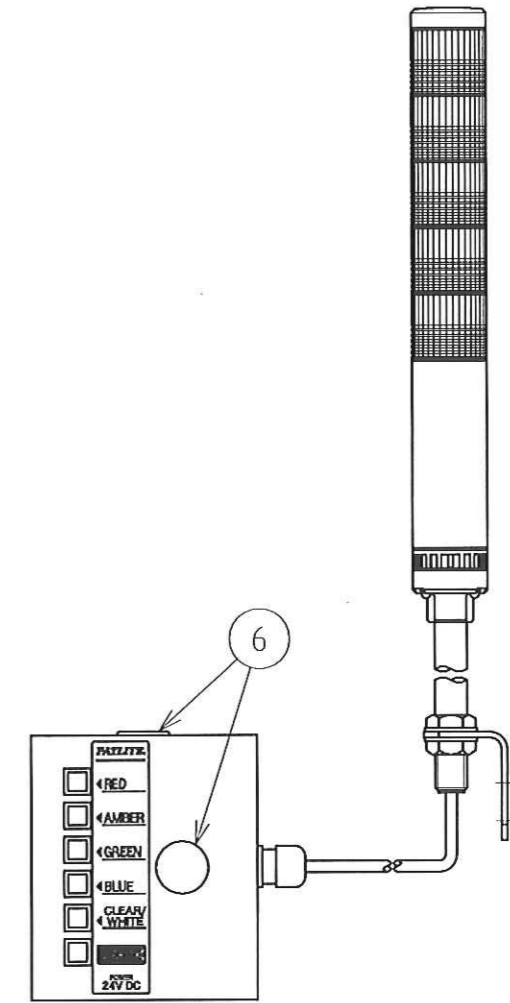
Wall mounting use



Wall mounting use
(With L-Angle)



Stationary use



Cable gland (Separate) use

Notes

- Option parts (SZ-903, SZ-012) and Nuts are not attached to the product.
- In the case of wall mounting use and Stationary use, two nuts of thickness less than 5.5mm are necessary.
- Please put attached hole plugs in the holes which are not used.

7	Hole plug 16	-	1	Nylon 6/6	(Accessory)
6	Hole plug 22	-	2	Nylon 6/6	(Accessory)
番号 No.	部品名 Part Name	品目コード Part No.	数量 Qty.	材料 & 寸法 & 処理 Material & Size & Finish	記事 Remarks
設計 Dgn by	製図 Drn by	検図 Chk by	承認 App by	図名 Name	機種名 Model #LCE-□02U(FB)
Y.Nagayama	Y.Nagayama		M.Yoshida	Specifications	特注No. S.P.No. FB175
2.Feb.'10	1.Apr.'10		7.Apr.'10	View of use	品目コード Part No. -
三角法 3rd Angle P.	単位 Unit mm	尺度 Scale -	株式会社 パトライト PATLITE Corporation		図番 Drawing No. LCE-FB175-A18C-2/2